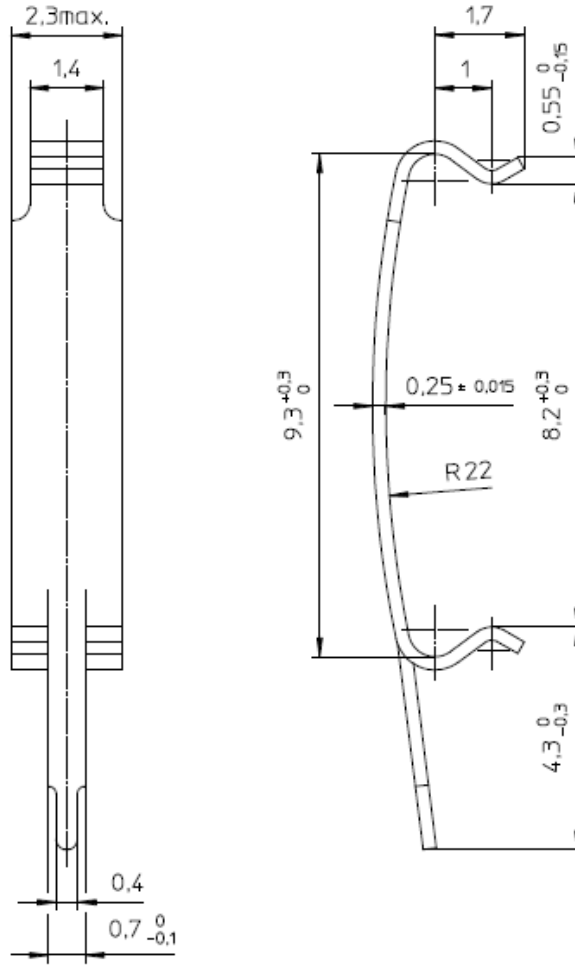




Specification for:  
**00C1110B1**

110 Delta Drive  
Pittsburgh, PA 15238  
Phone: 412/696-1333  
Fax: 412/696-0333  
Email:magnetics@spang.com



**MATERIAL**

Material: Steel X12 CrNi 17 7 – Ni Flash, Sn Plated

**REMARKS**

Revision -