

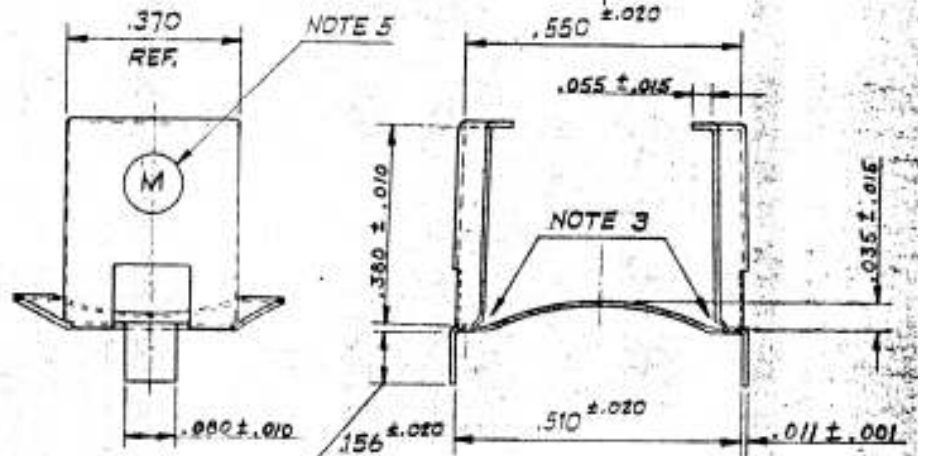
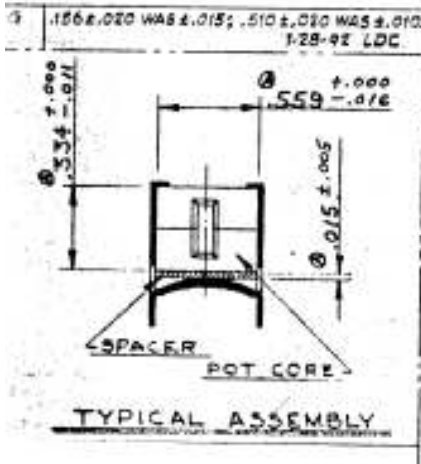
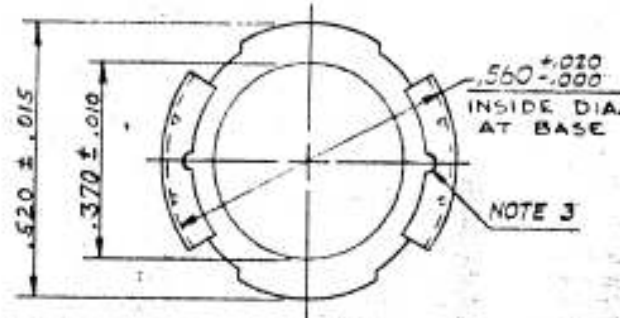


Specification for:
00C140811

110 Delta Drive
 Pittsburgh, PA 15238
 Phone: 412/696-1333
 Fax: 412/696-0333
 Email:magnetics@spang.com

- N AS
1. MTL. TO BE HT. TREATED SPRING STL. ; R 41-45;
 TIN. ELECTROPLATED .0002" MIN.
 2. CLAMPING PRESSURE TO BE 1 TO 11 LBS. PER
 ACCEPTED PRESSURE TESTING DEVICE.
 3. RELIEF NOTCHES PERMITTED IN AREAS SHOWN.
 4. NO CRACKS PERMITTED.
 5. EMBOSS THE LETTER "M" IN AREA SHOWN,
 APPROX 1/16" TALL.

Cr. B-11 G



MATERIAL

Material: Heat Treated Spring Steel

REMARKS

Revision G