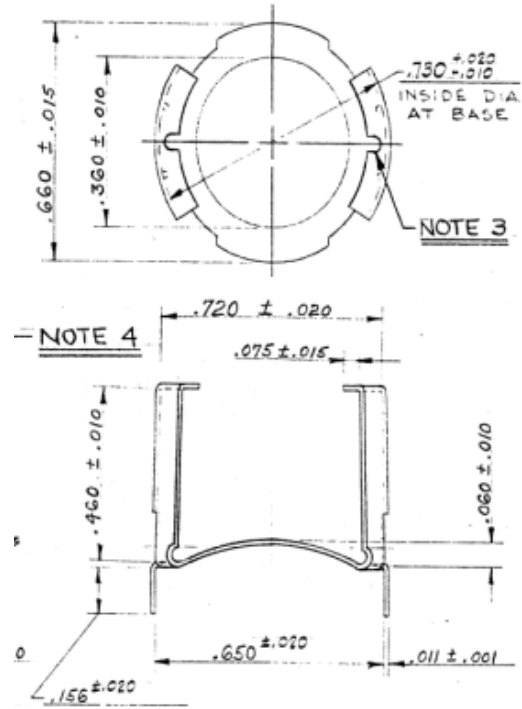
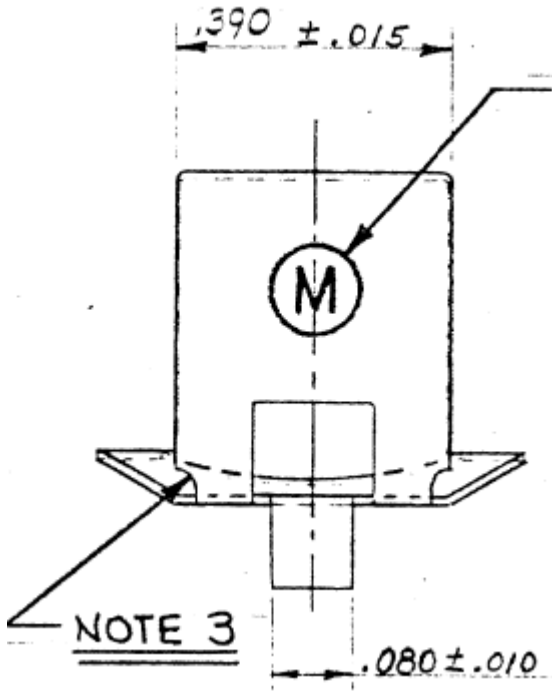




Specification for:
00C181111

110 Delta Drive
Pittsburgh, PA 15238
Phone: 412/696-1333
Fax: 412/696-0333
Email:magnetics@spang.com



MATERIAL

Material: Heat Treated Spring Steel, Tin Electroplated

REMARKS

Note 3: Relief Notch Permitted in Areas Shown

Note 4: Emboss the letter "M" in Area Shown (1/16" Tall Letter)

Revision F