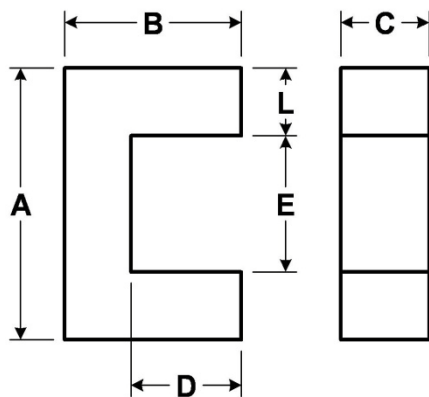




# 00K7236U026

110 Delta Drive  
 Pittsburgh, PA 15238  
 Phone: 412/696-1333  
 Fax: 412/696-0333  
 Email:magnetics@spang.com



Permeability ( $\mu$ )	$A_L$ (nH/T <sup>2</sup> )
26	87 ± 8%

DIMENSIONS (mm)		±
A	72.39	0.89
B	35.56	0.64
C	20.85	0.38
D (min)	21.36	--
E (min)	43.69	--
L (nom)	13.89	--

Markings		
XXXXXX	00K7236U026	N/A
Lot Number	Part Number	Inductance Grade

Physical Characteristics				
$A_e$ (mm <sup>2</sup> ) Cross Section	$L_e$ (mm) Path Length	$V_e$ (mm <sup>3</sup> ) Volume	Weight (grams)	Box Quantity (pieces)
190	219	63,510	158	60

Available Hardware

