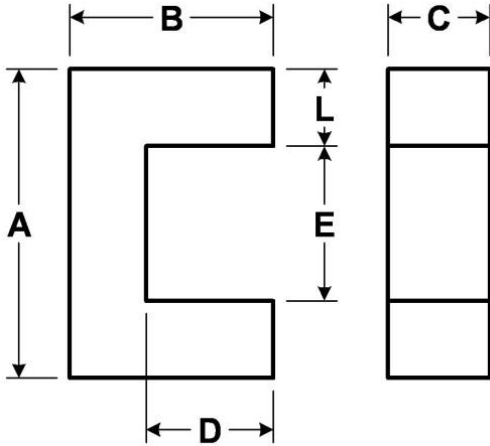




00K8038U0

PRELIMINARY

110 Delta Drive
 Pittsburgh, PA 15238
 NAFTA Sales: (1)800-245-3984
 HK Sales : (852)3102-9337
 magnetics@spang.com
 www.mag-inc.com



Kool M μ Permeability (μ)	A _L (nH/T ²)	Core Marking	
		Lot Number	Part Number
0	#N/A	XXXXXX	K8038U0

	Dimensions		Tolerance (\pm)			Packaging
	(mm)	(in)	(mm)	(in)		
A	80.01	3.149	0.89	0.035		TBD
B	38.10	1.499	0.64	0.025		
C	23.00	0.905	0.38	0.015		
D	22.40	0.882	-	-	Min	Available Hardware
E	49.20	1.936	-	-	Min	
F	15.40	0.606	-	-	Nom	
G						

Electrical Characteristics		Physical Characteristics					
Watt Loss @ 50kHz, 100mT max (mW/cm ³)	DC Bias min (oersteds)	Break Strength (kg)	Window Area W _a (mm ²)	Cross Section A _e (mm ²)	Path Length L _e (mm)	Volume V _e (mm ³)	Est. Weight (Ea. Piece) (g)
1245	80%	TBD	#N/A	354	237	83,900	TBD
	26.7						

Notes:	Temperature Rating
	Curie Temp: 500 °C