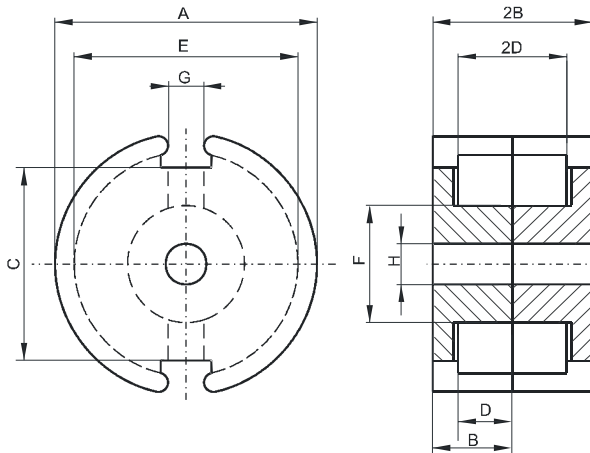


DIMENSIONS



(mm)	Nominal:	Tol. min.:	Tol. max.:
A	11.1	-0.2	+ 0.2
B	3.25	-0.05	+ 0.05
2B	6.5	-0.1	+ 0.1
C	6.8	-0.25	+ 0.25
D	2.2	0.0	+ 0.15
2D	4.4	0.0	+ 0.3
E	9.0	0.0	+ 0.4
F	4.7	-0.2	0.0
G	2.2	-0.3	+ 0.3
H	2.1	-0.1	+ 0.1
Eff. Parameters			
Ae mm²	Amin mm²	le mm	Ve mm³
16.2	13.2	15.5	251

INDUCTANCE

AL value (nH/T²)	Test conditions
800 ± 25%	10 kHz, < 0.5 mT, 25 °C

MARKING

No marking

LOSS FACTOR

tan δ/μ (x10⁻⁶)	Test conditions
< 30	1000 kHz, < 0.25 mT, 25 °C
< 10	300 kHz, < 0.25 mT, 25 °C
α_f (x10⁻⁶)	Test conditions
-3.0 to 2.0	-30 °C to -10 °C
-3.0 to 2.0	-10 °C to 20 °C
-2.0 to 2.0	20 °C to 40 °C
-0.5 to 2.0	40 °C to 70 °C