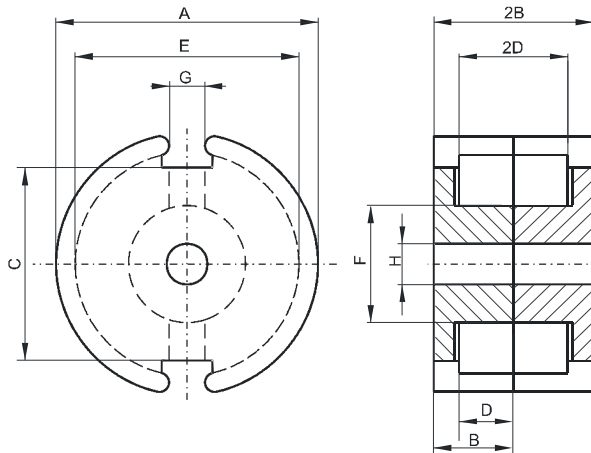


DIMENSIONS



| (mm) | Nominal: | Tol. min.: | Tol. max.: |
|--------------------------|----------------------------|--------------|--------------------------|
| A | 14.3 | -0.5 | 0.0 |
| B | 4.175 | -0.065 | + 0.065 |
| 2B | 8.35 | -0.13 | + 0.13 |
| C | 9.5 | -0.3 | + 0.3 |
| D | 2.8 | 0.0 | + 0.2 |
| 2D | 5.6 | 0.0 | + 0.4 |
| E | 11.6 | 0.0 | + 0.4 |
| F | 6.0 | -0.2 | 0.0 |
| G | 2.7 | 0.0 | + 1.2 |
| H | 3.0 | 0.0 | + 0.1 |
| Eff. Parameters | | | |
| Ae mm² | Amin mm² | le mm | Ve mm³ |
| 25.1 | 19.8 | 19.8 | 495 |

INDUCTANCE

| AL value (nH/T²) | Test conditions |
|------------------------------------|-------------------------|
| 1100 ± 25% | 10 kHz, < 0.5 mT, 25 °C |

MARKING

No marking

LOSS FACTOR

| tan δ/μ (x10⁻⁶) | Test conditions |
|---|----------------------------|
| < 30 | 1000 kHz, < 0.25 mT, 25 °C |
| < 10 | 300 kHz, < 0.25 mT, 25 °C |
| α_F (x10⁻⁶) | Test conditions |
| -3.0 to 2.0 | -30 °C to -10 °C |
| -3.0 to 2.0 | -10 °C to 20 °C |
| -2.0 to 2.0 | 20 °C to 40 °C |
| -0.5 to 2.0 | 40 °C to 70 °C |