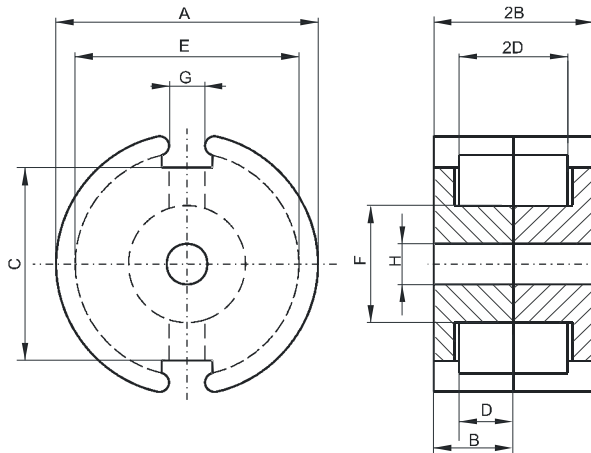


DIMENSIONS



| (mm) | Nominal: | Tol. min.: | Tol. max.: |
|--------------------------|----------------------------|--------------|--------------------------|
| A | 22.0 | -0.8 | 0.0 |
| B | 6.7 | -0.1 | + 0.1 |
| 2B | 13.4 | -0.2 | + 0.2 |
| C | 15.0 | -0.4 | + 0.4 |
| D | 4.6 | 0.0 | + 0.2 |
| 2D | 9.2 | 0.0 | + 0.4 |
| E | 17.9 | 0.0 | + 0.6 |
| F | 9.4 | -0.3 | 0.0 |
| G | 3.8 | -0.6 | + 0.6 |
| H | 4.4 | 0.0 | + 0.3 |
| Eff. Parameters | | | |
| Ae mm² | Amin mm² | le mm | Ve mm³ |
| 63.4 | 50.9 | 31.5 | 2000 |

INDUCTANCE

| AL value (nH/T²) | Test conditions |
|------------------------------------|-------------------------|
| 3900 ± 25% | 10 kHz, < 0.5 mT, 25 °C |

MARKING

| |
|------------|
| No marking |
|------------|

LOSS FACTOR

| tan δ/μ (x10⁻⁶) | Test conditions |
|---|---------------------------|
| < 6 | 100 kHz, < 0.25 mT, 25 °C |
| α_F (x10⁻⁶) | Test conditions |
| 1.0 to 8.0 | -30 °C to -10 °C |
| 0 to 5.0 | -10 °C to 20 °C |
| -2.0 to 1.0 | 20 °C to 40 °C |
| -2.0 to 1.0 | 40 °C to 70 °C |