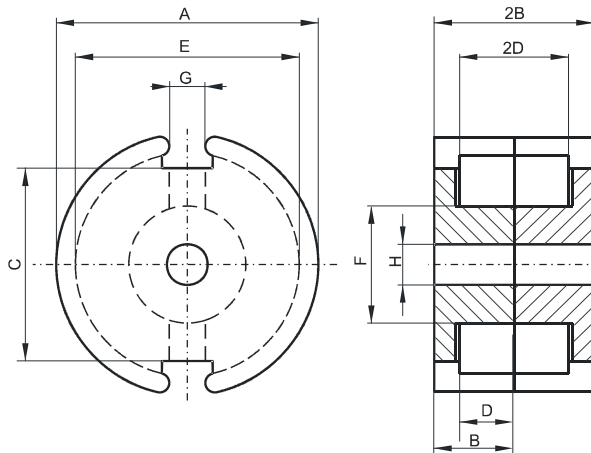


DIMENSIONS



| (mm) | Nominal: | Tol. min.: | Tol. max.: |
|--------------------------|----------------------------|--------------|--------------------------|
| A | 25.5 | -0.5 | + 0.5 |
| B | 8.05 | -0.1 | + 0.1 |
| 2B | 16.1 | -0.2 | + 0.2 |
| C | 18.0 | -0.4 | + 0.4 |
| D | 5.5 Min. | | |
| 2D | 11.0 Min. | | |
| E | 21.6 | -0.4 | + 0.4 |
| F | 11.3 | -0.2 | + 0.2 |
| G | 3.8 | -0.6 | + 0.6 |
| H | 5.5 | -0.1 | + 0.1 |
| Eff. Parameters | | | |
| Ae mm² | Amin mm² | le mm | Ve mm³ |
| 93.9 | 77.4 | 37.6 | 3530 |

INDUCTANCE

MARKING

| AL value (nH/T²) | Test conditions | No marking |
|------------------------------------|-------------------------|-------------------|
| 4900 ± 25 | 10 kHz, < 0.5 mT, 25 °C | |

LOSS FACTOR

| tan δ/μ | Test conditions |
|---|---------------------------|
| < 6 · 10 ⁻⁶ | 100 kHz, < 0.25 mT, 25 °C |
| α_F | Test conditions |
| 1.0 · 10 ⁻⁶ to 8.0 · 10 ⁻⁶ | -30 °C to -10 °C |
| 0 · 10 ⁻⁶ to 5.0 · 10 ⁻⁶ | -10 °C to 20 °C |
| -2.0 · 10 ⁻⁶ to 1.0 · 10 ⁻⁶ | 20 °C to 40 °C |
| -2.0 · 10 ⁻⁶ to 1.0 · 10 ⁻⁶ | 40 °C to 70 °C |