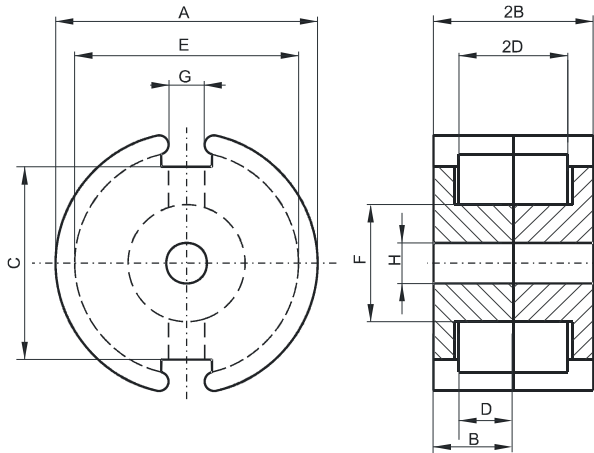


Specification for:

**0F40704UG**

110 Delta Drive  
Pittsburgh, PA 15238  
Phone: 412/696-1333  
Fax: 412/696-0333  
Email: magnetics@spang.com

**DIMENSIONS**



(mm)	Nominal:	Tol. min.:	Tol. max.:
<b>A</b>	7.24	-0.15	+ 0.15
<b>B</b>	2.08	-0.05	+ 0.05
<b>2B</b>	4.16	-0.1	+ 0.1
<b>C</b>	4.72		
<b>D</b>	1.4 Min.		
<b>2D</b>	2.79 Min.		
<b>E</b>	5.74 Min.		
<b>F</b>	3.0 Max.		
<b>G</b>	1.52 Min.		
<b>H</b>	1.09	-0.05	+ 0.05
<b>Eff. Parameters</b>			
<b>Ae mm<sup>2</sup></b>	<b>Amin mm<sup>2</sup></b>	<b>le mm</b>	<b>Ve mm<sup>3</sup></b>
7.0	5.9	9.9	69

**INDUCTANCE**

<b>AL value (nH)</b>	<b>Test conditions</b>
1200 ± 25%	10 kHz, < 0.5 mT, 25 °C

**MARKING**

No marking

**CORE LOSSES**

<b>P<sub>i</sub> max</b>	<b>Test conditions</b>
228 mW/cm <sup>3</sup> (0.18 W/set)	25 kHz, 200 mT, 100 °C

**NOTE**

<b>Spec. modifications</b>	<b>Previous</b>	<b>Revised</b>
2005-06-22	Losses: General F material	Losses: Detail as indicated