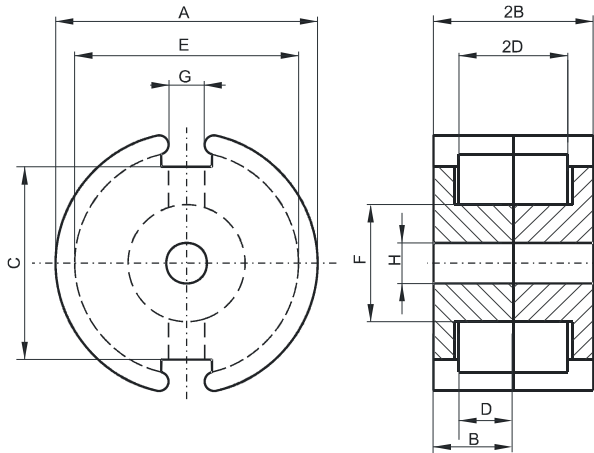


**DIMENSIONS**



(mm)	Nominal:	Tol. min.:	Tol. max.:
<b>A</b>	9.3	-0.3	0.0
<b>B</b>	2.7	-0.15	0.0
<b>2B</b>	5.4	-0.3	0.0
<b>C</b>	6.5	-0.25	+ 0.25
<b>D</b>	1.8	0.0	+ 0.15
<b>2D</b>	3.6	0.0	+ 0.3
<b>E</b>	7.5	0.0	+ 0.25
<b>F</b>	3.9	-0.2	0.0
<b>G</b>	2.0	-0.2	+ 0.2
<b>H</b>	2.04	0.0	+ 0.06
Eff. Parameters			
Ae mm <sup>2</sup>	Amin mm <sup>2</sup>	le mm	Ve mm <sup>3</sup>
10.1	8.0	12.5	126

**INDUCTANCE**

AL value (nH)	Test conditions
1365 ± 25%	10 kHz, < 0.5 mT, 25 °C

**MARKING**

No marking
------------

**CORE LOSSES**

P <sub>i</sub> max	Test conditions
278 mW/cm <sup>3</sup> (0.035 W/set)	25 kHz, 200 mT, 100 °C

**NOTE**

Spec. modifications	Previous	Revised
2005-06-22	B=2.57 Min. 2B=5.14 Min. C=5.14 Min. F=3.88 Max. G=1.93 Nom. G=1.78 Min. H=2.01±0.05  Losses: General F material	B=2.55 Min. 2B=5.1 Min. C=6.5 Nom. F=3.9 Max. G=2.0±0.2  H=2.04 Min. H=2.1 Max. Losses: Detail as indicated