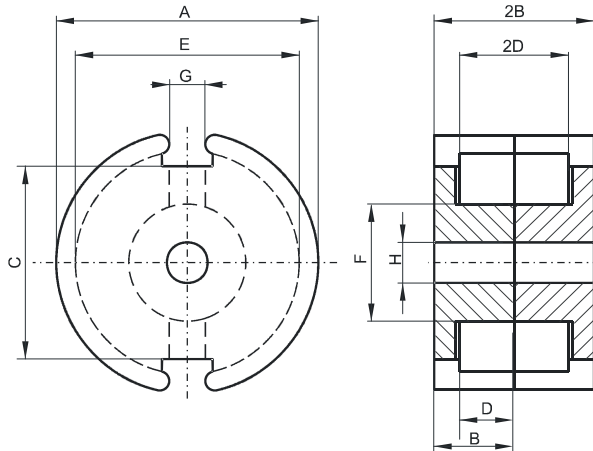


**DIMENSIONS**



(mm)	Nominal:	Tol. min.:	Tol. max.:
<b>A</b>	18.0	-0.4	+ 0.4
<b>B</b>	7.1	-0.2	+ 0.2
<b>2B</b>	14.2	-0.4	+ 0.4
<b>C</b>	11.84	-0.25	+ 0.25
<b>D</b>	5.05	0.0	+ 0.2
<b>2D</b>	10.1	0.0	+ 0.4
<b>E</b>	14.0	0.0	+ 0.4
<b>F</b>	7.4	-0.3	0.0
<b>G</b>	3.6	0.0	+ 0.3
<b>H</b>	3.1	-0.08	+ 0.08
<b>Eff. Parameters</b>			
<b>Ae mm<sup>2</sup></b>	<b>Amin mm<sup>2</sup></b>	<b>le mm</b>	<b>Ve mm<sup>3</sup></b>
42.6	36.0	29.3	1248

**INDUCTANCE**

<b>AL value (nH/T<sup>2</sup>)</b>	<b>Test conditions</b>
3350 ± 25%	10 kHz, < 0.5 mT, 25 °C

**MARKING**

No marking
------------

**CORE LOSSES**

<b>P<sub>i</sub> max</b>	<b>Test conditions</b>
232 mW/cm <sup>3</sup> ( 0.29 W/set)	25 kHz, 200 mT, 100 °C

**NOTE**

<b>Spec. modifications</b>	<b>Previous</b>	<b>Revised</b>
2005-06-16	B=7.1 Max. 2B=14.17 Max. Losses: General F material Marking	B=7.3 Max. 2B=14.6 Max. Losses: Detail as indicated No marking