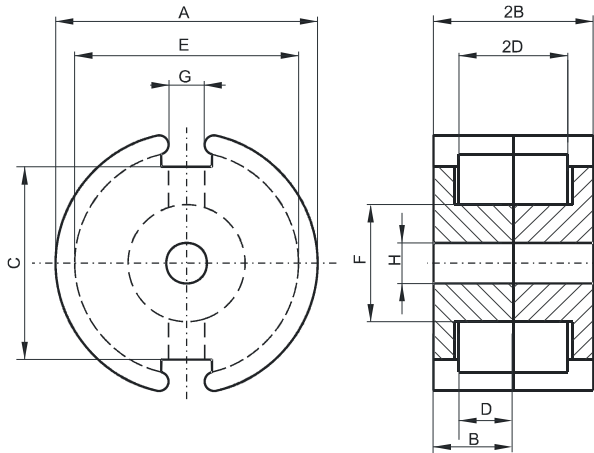


DIMENSIONS



(mm)	Nominal:	Tol. min.:	Tol. max.:
A	7.24	-0.15	+ 0.15
B	2.08	-0.05	+ 0.05
2B	4.16	-0.1	+ 0.1
C	4.72		
D	1.4 Min.		
2D	2.79 Min.		
E	5.74 Min.		
F	3.0 Max.		
G	1.52 Min.		
H	1.09	-0.05	+ 0.05
Eff. Parameters			
Ae mm²	Amin mm²	le mm	Ve mm³
7.0	5.9	9.9	69

INDUCTANCE

AL value (nH)	Test conditions
Nom: 2257 Min.: 1580	10 kHz, < 0.5 mT, 25 °C

MARKING

No marking

LOSS FACTOR

tan δ/μ (x10⁻⁶)	Test conditions
< 15	100 kHz, < 0.25 mT, 25 °C

NOTE

Spec. modifications	Previous	Revised
2005-06-16	Loss factor: General J material Marking	Loss factor: Detail as indicated No marking