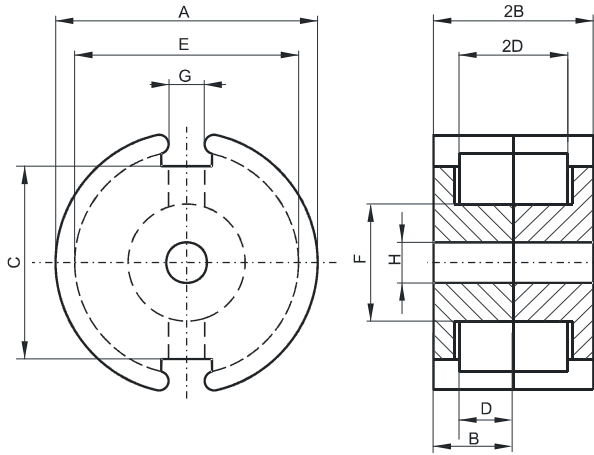


DIMENSIONS



(mm)	Nominal:	Tol. min.:	Tol. max.:
A	14.3	-0.5	0.0
B	4.175	-0.065	+ 0.065
2B	8.35	-0.13	+ 0.13
C	9.5	-0.3	+ 0.3
D	2.8	0.0	+ 0.2
2D	5.6	0.0	+ 0.4
E	11.6	0.0	+ 0.4
F	6.0	-0.2	0.0
G	2.7	0.0	+ 1.2
H	3.1	-0.1	+ 0.1
Eff. Parameters			
Ae mm²	Amin mm²	le mm	Ve mm³
25.1	19.8	19.8	495

INDUCTANCE

AL value (nH/T ²)	Test conditions
Nom: 5073 Min.: 3805	10 kHz, < 0.5 mT, 25 °C

MARKING

No marking

REMARKS

Mating surface must be lapped

LOSS FACTOR

$\tan \delta/\mu$	Test conditions
< $15 \cdot 10^{-6}$	100 kHz, < 0.25 mT, 25 °C

NOTE

Spec. modifications	Previous	Revised
2005-06-22	H=3.1±0.08 Loss factor: General J material	H=3.0 Min. H=3.1 Max. Loss factor: Detail as indicated
2011-03-25	H-3 +0.1	H-3.1±0.1
2014-04-03		Info about lapping