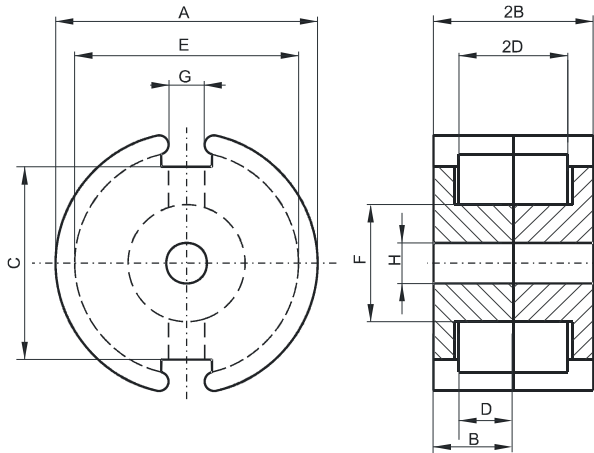


Specification for:

0J42213UG

110 Delta Drive
Pittsburgh, PA 15238
Phone: 412/696-1333
Fax: 412/696-0333
Email: magnetics@spang.com

DIMENSIONS



(mm)	Nominal:	Tol. min.:	Tol. max.:
A	22.0	-0.8	0.0
B	6.7	-0.1	+ 0.1
2B	13.4	-0.2	+ 0.2
C	15.0	-0.4	+ 0.4
D	4.6	0.0	+ 0.2
2D	9.2	0.0	+ 0.4
E	17.9	0.0	+ 0.6
F	9.4	-0.3	0.0
G	3.8	-0.6	+ 0.6
H	4.4	0.0	+ 0.3
Eff. Parameters			
Ae mm²	Amin mm²	le mm	Ve mm³
63.4	50.9	31.5	2000

INDUCTANCE

AL value (nH)	Test conditions
Nom: 9100 Min.: 6825	10 kHz, < 0.5 mT, 25 °C

MARKING

No marking

LOSS FACTOR

tan δ/μ (x10⁻⁶)	Test conditions
< 20	100 kHz, < 0.25 mT, 25 °C

NOTE

Spec. modifications	Previous	Revised
2005-06-22	A=21.22 Min. G=3.1 Nom. G=2.99 Min. H=4.55±0.1 Loss factor: General J material Marking	A=21.2 Min. G=3.8±0.6 H=4.4 MIN. H=4.7 MAX. Loss factor: Detail as indicated No marking