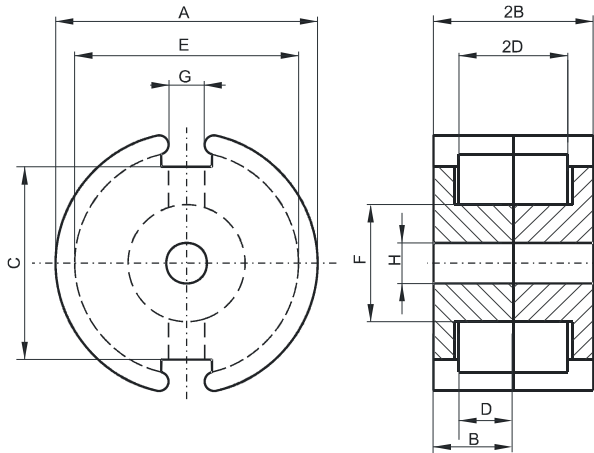


DIMENSIONS



(mm)	Nominal:	Tol. min.:	Tol. max.:
A	11.1	-0.2	+ 0.2
B	3.25	-0.05	+ 0.05
2B	6.5	-0.1	+ 0.1
C	6.8	-0.25	+ 0.25
D	2.2	0.0	+ 0.15
2D	4.4	0.0	+ 0.3
E	9.0	0.0	+ 0.4
F	4.7	-0.2	0.0
G	2.2	-0.3	+ 0.3
H	2.1	-0.1	+ 0.1
Eff. Parameters			
Ae mm ²	Amin mm ²	le mm	Ve mm ³
16.2	13.2	15.5	251

INDUCTANCE

AL value (nH)	Test conditions
Nom: 1667 Min.: 1250	10 kHz, < 0.5 mT, 25 °C

MARKING

No marking

CORE LOSSES

P _i max	Test conditions
120 mW/cm ³ (0.03 W/set)	100 kHz, 100 mT, 100 °C

NOTE

Spec. modifications	Previous	Revised
2005-06-22	C=7.54 Nom. D=2.24 Min. 2D=4.42 Min. G=1.93 Nom. G=1.78 Min. H=2.06±0.05 Losses: General P material Marking	C=6.8±0.25 D=2.20 Min. 2D=4.40 Min. G=2.2±0.3 H=2.1±0.1 Losses: Detail as indicated No marking