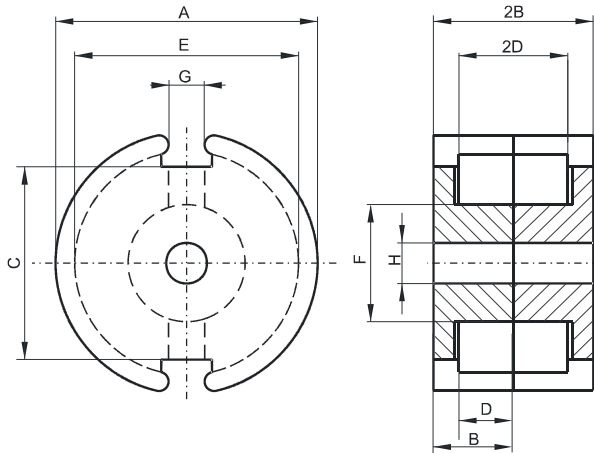


Specification for:

**0P41109UG**

110 Delta Drive  
Pittsburgh, PA 15238  
Phone: 412/696-1333  
Fax: 412/696-0333  
Email: magnetics@spang.com

**DIMENSIONS**



(mm)	Nominal:	Tol. min.:	Tol. max.:
<b>A</b>	11.28	-0.4	0.0
<b>B</b>	3.43	-0.08	+ 0.08
<b>2B</b>	6.86	-0.16	+ 0.16
<b>C</b>	7.54	-0.2	+ 0.2
<b>D</b>	2.48	-0.08	+ 0.08
<b>2D</b>	4.96	-0.16	+ 0.16
<b>E</b>	9.0	0.0	+ 0.4
<b>F</b>	4.7	-0.2	0.0
<b>G</b>	1.8	0.0	+ 0.3
<b>H</b>	2.0	0.0	+ 0.08
Eff. Parameters			
Ae mm <sup>2</sup>	Amin mm <sup>2</sup>	le mm	Ve mm <sup>3</sup>
16.3	13.2	16.2	264

**INDUCTANCE**

AL value (nH)	Test conditions
Nom: 1573 Min.: 1180	10 kHz, < 0.5 mT, 25 °C

**MARKING**

No marking

**CORE LOSSES**

P <sub>i</sub> max	Test conditions
129 mW/cm <sup>3</sup> (0.034 W/set)	100 kHz, 100 mT, 100 °C

**NOTE**

Spec. modifications	Previous	Revised
2005-12-07	Losses: General P material Marking	Losses: Detail as indicated No marking