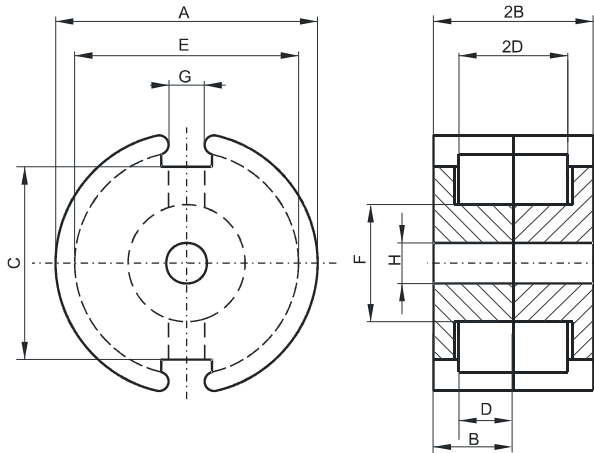


Specification for:

**0P41811UG**

110 Delta Drive  
Pittsburgh, PA 15238  
Phone: 412/696-1333  
Fax: 412/696-0333  
Email: magnetics@spang.com

**DIMENSIONS**



(mm)	Nominal:	Tol. min.:	Tol. max.:
<b>A</b>	18.0	-0.4	+ 0.4
<b>B</b>	5.3	-0.05	+ 0.05
<b>2B</b>	10.6	-0.1	+ 0.1
<b>C</b>	13.4	-0.3	+ 0.3
<b>D</b>	3.7	-0.1	+ 0.1
<b>2D</b>	7.4	-0.2	+ 0.2
<b>E</b>	15.15	-0.25	+ 0.25
<b>F</b>	7.45	-0.15	+ 0.15
<b>G</b>	3.8	-0.6	+ 0.6
<b>H</b>	3.1	-0.1	+ 0.1
Eff. Parameters			
<b>Ae mm<sup>2</sup></b>	<b>Amin mm<sup>2</sup></b>	<b>le mm</b>	<b>Ve mm<sup>3</sup></b>
43.3	36.0	25.8	1120

**INDUCTANCE**

AL value (nH)	Test conditions
Nom: 3333 Min.: 2500	10 kHz, < 0.5 mT, 25 °C

**MARKING**

P UG
---------

**CORE LOSSES**

P <sub>i</sub> max	Test conditions
125 mW/cm <sup>3</sup> (0.14 W/set)	100 kHz, 100 mT, 100 °C

**NOTE**

Spec. modifications	Previous	Revised
2005-06-22	A=18.0±0.38 2B=10.67 Max. C=13.08 Nom. E=14.98 Min. G=4.1 Min. G=4.3 Nom. H=3.1±0.08 Losses: General P material Marking	A=18.0±0.4 2B=10.7 Max. C=13.4±0.3 E=14.9 Min.  G=3.8±0.6 H=3.1±0.1 Losses: Detail as indicated No marking