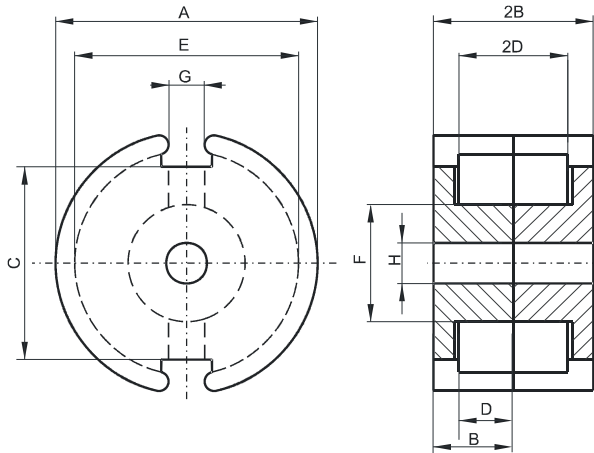


Specification for:

0R41811UG

110 Delta Drive
Pittsburgh, PA 15238
Phone: 412/696-1333
Fax: 412/696-0333
Email: magnetics@spang.com

DIMENSIONS



(mm)	Nominal:	Tol. min.:	Tol. max.:
A	18.0	-0.4	+ 0.4
B	5.3	-0.05	+ 0.05
2B	10.6	-0.1	+ 0.1
C	13.4	-0.3	+ 0.3
D	3.7	-0.1	+ 0.1
2D	7.4	-0.2	+ 0.2
E	15.15	-0.25	+ 0.25
F	7.45	-0.15	+ 0.15
G	3.8	-0.6	+ 0.6
H	3.1	-0.1	+ 0.1
Eff. Parameters			
Ae mm²	Amin mm²	le mm	Ve mm³
43.3	36.0	25.8	1120

INDUCTANCE

AL value (nH)	Test conditions
Nom: 3067 Min.: 2300	10 kHz, < 0.5 mT, 25 °C

MARKING

R UG

CORE LOSSES

P _i max	Test conditions
98 mW/cm ³ (0.11 W/set)	100 kHz, 100 mT, 100 °C
625 mW/cm ³ (0.7 W/set)	100 kHz, 200 mT, 100 °C

NOTE

Spec. modifications	Previous	Revised
2005-06-22	A=18.0±0.38 2B=10.67 Max. C=13.08 Nom. E=14.98 Min. G=4.1 Min. G=4.3 Nom. H=3.1±0.08 Losses: General R material Marking	A=18.0±0.4 2B=10.7 Max. C=13.4±0.3 E=14.9 Min. G=3.8±0.6 H=3.1±0.1 Losses: Detail as indicated No marking