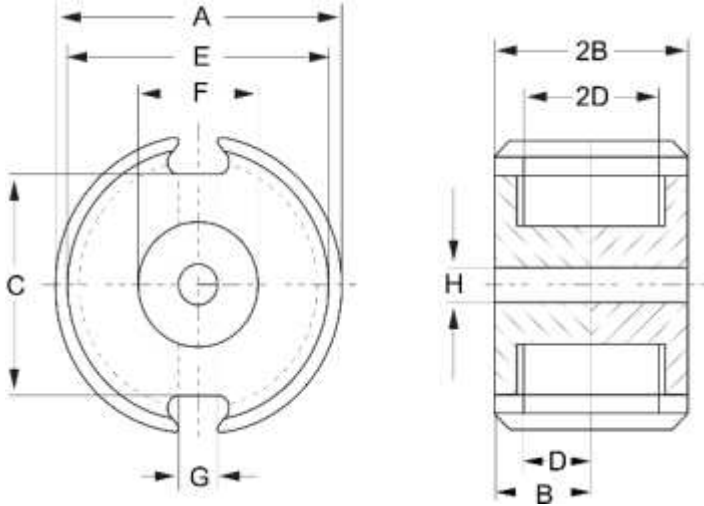


Specification for:

0R42616UG

110 Delta Drive
Pittsburgh, PA 15238
Phone: 412/696-1333
Fax: 412/696-0333
Email: magnetics@spang.com

DIMENSIONS



(mm)	Nominal:	Tol. min.:	Tol. max.:
A	25.5	-0.5	+ 0.5
B	8.05	-0.1	+ 0.1
2B	16.1	-0.2	+ 0.2
C	18.0	-0.4	+ 0.4
D	5.5	0.0	+ 0.2
2D	11.0	0.0	+ 0.4
E	21.6	-0.4	+ 0.4
F	11.3	-0.2	+ 0.2
G	3.8	-0.6	+ 0.6
H	5.5	-0.1	+ 0.1
Eff. Parameters			
Ae mm²	Amin mm²	le mm	Ve mm³
93.9	77.4	37.6	3530

INDUCTANCE

AL value (nH)	Test conditions
Nom: 5213 Min.: 3910	10 kHz, < 0.5 mT, 25 °C

MARKING

R UG

CORE LOSSES

P _i max	Test conditions
102 mW/cm ³ (0.36 W/set)	100 kHz, 100 mT, 100 °C
630 mW/cm ³ (2.22 W/set)	100 kHz, 200 mT, 100 °C

NOTE

Spec. modifications	Previous	Revised
2005-06-16	2D=11.02 MIN. D=5.51 MIN. F=11.48 MAX. G=4.2 NOM. G=4.11 MIN. H=5.56±0.1 LOSSES: GENERAL R MATERIAL	2D=11.0 MIN. D=5.5 MIN. F=11.5 MAX. G=3.8±0.6 H=5.5±0.1 LOSSES: DETAIL AS INDICATE