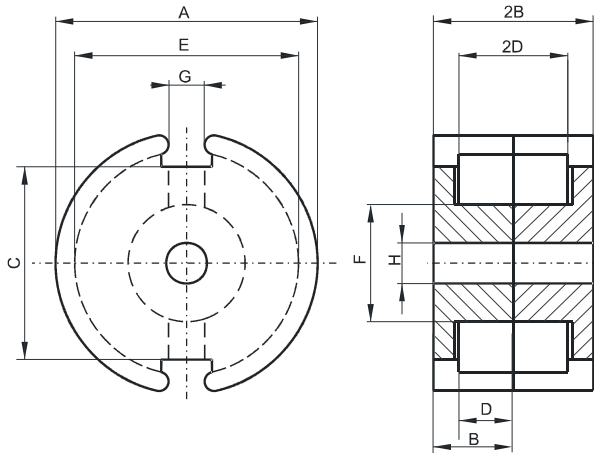


Specification for:

0R43019UG

110 Delta Drive
Pittsburgh, PA 15238
Phone: 412/696-1333
Fax: 412/696-0333
Email: magnetics@spang.com

DIMENSIONS



(mm)	Nominal:	Tol. min.:	Tol. max.:
A	30.0	-0.5	+ 0.5
B	9.45	-0.05	+ 0.05
2B	18.9	-0.1	+ 0.1
C	20.5	-0.5	+ 0.5
D	6.5 Min.		
2D	13.0 Min.		
E	25.4	-0.4	+ 0.4
F	13.3	-0.2	+ 0.2
G	4.3	-0.6	+ 0.6
H	5.5	-0.1	+ 0.1
Eff. Parameters			
Ae mm²	Amin mm²	le mm	Ve mm³
137.0	116.0	45.2	6190

INDUCTANCE

AL value (nH)	Test conditions
Nom: 6680 Min.: 5010	10 kHz, < 0.5 mT, 25 °C

MARKING

0R43019UG PXXXXX

CORE LOSSES

P _i max	Test conditions
103 mW/cm ³ (0.6 W/set)	100 kHz, 100 mT, 100 °C
630 mW/cm ³ (3.9 W/set)	100 kHz, 200 mT, 100 °C

NOTE

Spec. modifications	Previous	Revised
2005-06-22	C=22.2 Nom. G=4.0 Nom. G=3.86 Min. H=5.56±0.1 Losses: General R material	C=20.5 Nom. G=4.3±0.6 H=5.5±0.1 Losses: Detail as indicated