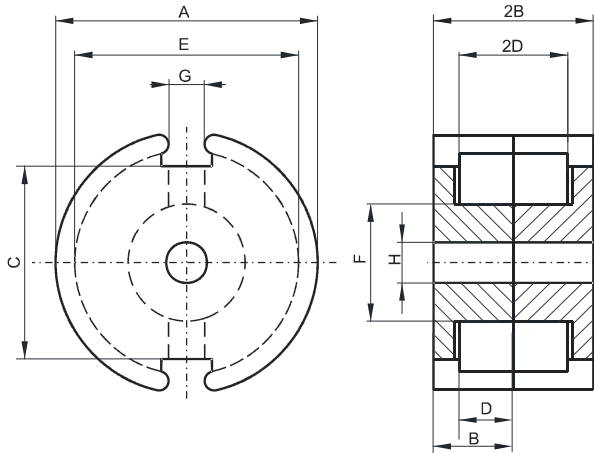


DIMENSIONS



(mm)	Nominal:	Tol. min.:	Tol. max.:
A	42.4	-0.7	+ 0.7
B	14.7	-0.05	+ 0.05
2B	29.4	-0.1	+ 0.1
C	32.0	-0.7	+ 0.7
D	10.15 Min.		
2D	20.3 Min.		
E	36.3	-0.7	+ 0.7
F	17.4	-0.3	+ 0.3
G	5.1	-0.6	+ 0.6
H	5.55	-0.15	+ 0.15
Eff. Parameters			
Ae mm²	Amin mm²	le mm	Ve mm³
265.0	214.0	68.6	18200

INDUCTANCE

AL value (nH/T ²)	Test conditions
11450 ± 20%	10 kHz, < 0.5 mT, 25 °C

MARKING

0T44229UG
PXXXXXXXX

CORE LOSSES

P _i max	Test conditions
< 10.92 W/set (< 600 mW/cm ³)	100 kHz, 200 mT, 100 °C
< 11.47 W/set (< 630 mW/cm ³)	100 kHz, 200 mT, 25 °C

NOTE

Spec. modifications	Previous	Revised
2012-05-23		Issued
2013-07-22	Marking: 0T44229UG PXXXXX	Marking: 0T44229UG PXXXXXXXX