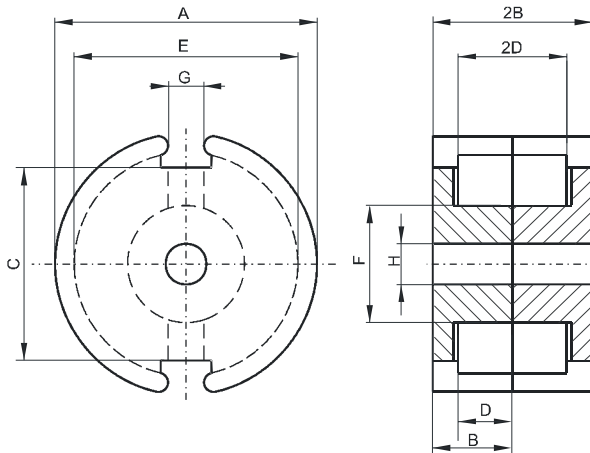


**DIMENSIONS**



(mm)	Nominal:	Tol. min.:	Tol. max.:
<b>A</b>	14.3	-0.5	0.0
<b>B</b>	4.175	-0.065	+ 0.065
<b>2B</b>	8.35	-0.13	+ 0.13
<b>C</b>	9.5	-0.3	+ 0.3
<b>D</b>	2.8	0.0	+ 0.2
<b>2D</b>	5.6	0.0	+ 0.4
<b>E</b>	11.6	0.0	+ 0.4
<b>F</b>	6.0	-0.2	0.0
<b>G</b>	2.7	0.0	+ 1.2
<b>H</b>	3.0	0.0	+ 0.1
Eff. Parameters			
<b>Ae mm<sup>2</sup></b>	<b>Amin mm<sup>2</sup></b>	<b>le mm</b>	<b>Ve mm<sup>3</sup></b>
25.1	19.8	19.8	495

**INDUCTANCE**

AL value (nH/T <sup>2</sup> )	Test conditions
2240 ± 25%	10 kHz, < 0.5 mT, 25 °C

**MARKING**

No marking

**LOSS FACTOR**

$\tan \delta/\mu$ ( $\times 10^{-6}$ )	Test conditions
< 6	100 kHz, < 0.25 mT, 25 °C
$\alpha_F$ ( $\times 10^{-6}$ )	Test conditions
-0.7 to 0.7	20 °C to 40 °C
-0.7 to 0.7	40 °C to 70 °C