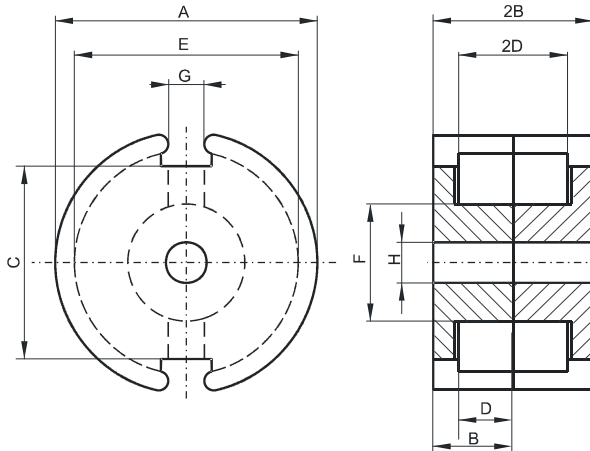


DIMENSIONS



(mm)	Nominal:	Tol. min.:	Tol. max.:
A	11.1	-0.2	+ 0.2
B	3.25	-0.05	+ 0.05
2B	6.5	-0.1	+ 0.1
C	6.8	-0.25	+ 0.25
D	2.2	0.0	+ 0.15
2D	4.4	0.0	+ 0.3
E	9.0	0.0	+ 0.4
F	4.7	-0.2	0.0
G	2.2	-0.3	+ 0.3
H	2.1	-0.1	+ 0.1
Eff. Parameters			
Ae mm²	Amin mm²	le mm	Ve mm³
16.2	13.2	15.5	251

INDUCTANCE

MARKING

AL value (nH/T²)	Test conditions	No marking
Nom: 7666 Min.: 5750	10 kHz, < 0.5 mT, 25 °C	

LOSS FACTOR

tan δ/μ	Test conditions
< 3 · 10 ⁻⁶	10 kHz, < 0.25 mT, 25 °C
< 45 · 10 ⁻⁶	100 kHz, < 0.25 mT, 25 °C

NOTE

Spec. modifications	Previous	Revised
2005-06-22	2D=4.42 Min. C=7.54 Nom. D=2.24 Min. G=1.93 Nom. G=1.78 Min. H=2.06±0.05 Loss factor: General W material Marking	2D=4.40 Min. C=6.8±0.25 D=2.20 Min. G=2.2±0.3 H=2.1±0.1 Loss factor: Detail as indicated No marking