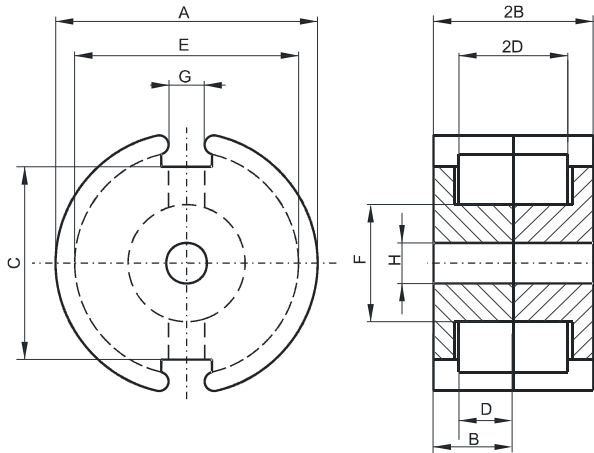


Specification for:

# 0W41408UG

110 Delta Drive  
Pittsburgh, PA 15238  
Phone: 412/696-1333  
Fax: 412/696-0333  
Email: magnetics@spang.com

## DIMENSIONS



(mm)	Nominal:	Tol. min.:	Tol. max.:
<b>A</b>	14.3	-0.5	0.0
<b>B</b>	4.2	-0.05	+ 0.05
<b>2B</b>	8.4	-0.1	+ 0.1
<b>C</b>	9.5	-0.3	+ 0.3
<b>D</b>	2.8	0.0	+ 0.2
<b>2D</b>	5.6	0.0	+ 0.4
<b>E</b>	11.6	0.0	+ 0.4
<b>F</b>	6.0	-0.2	0.0
<b>G</b>	2.7	0.0	+ 1.2
<b>H</b>	3.0	0.0	+ 0.1
Eff. Parameters			
<b>Ae mm<sup>2</sup></b>	<b>Amin mm<sup>2</sup></b>	<b>le mm</b>	<b>Ve mm<sup>3</sup></b>
25.1	19.8	19.8	495

## INDUCTANCE

AL value (nH)	Test conditions
Nom: 8400 Min.: 6300	10 kHz, < 0.5 mT, 25 °C

## MARKING

No marking

## LOSS FACTOR

$\tan \delta/\mu$ ( $\times 10^{-6}$ )	Test conditions
< 3	10 kHz, < 0.25 mT, 25 °C
< 45	100 kHz, < 0.25 mT, 25 °C

## NOTE

Spec. modifications	Previous	Revised
2005-06-22	H=3.1±0.08  Loss factor: General W material Marking	H=3.0 MIN. H=3.1 MAX. Loss factor: Detail as indicated No marking