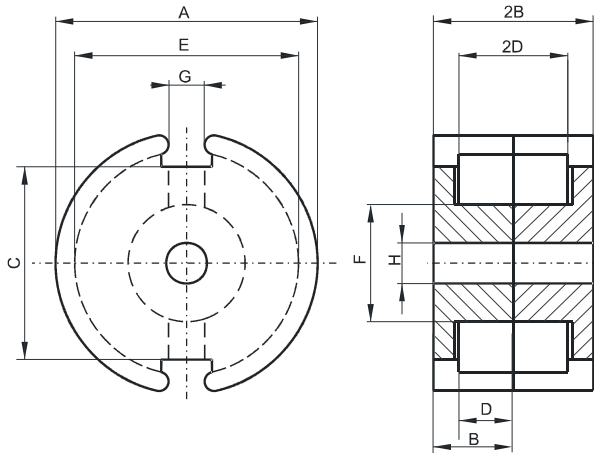


Specification for:

# 0W42213UG

110 Delta Drive  
Pittsburgh, PA 15238  
Phone: 412/696-1333  
Fax: 412/696-0333  
Email: magnetics@spang.com

## DIMENSIONS



(mm)	Nominal:	Tol. min.:	Tol. max.:
<b>A</b>	22.0	-0.8	0.0
<b>B</b>	6.7	-0.1	+ 0.1
<b>2B</b>	13.4	-0.2	+ 0.2
<b>C</b>	15.0	-0.4	+ 0.4
<b>D</b>	4.6	0.0	+ 0.2
<b>2D</b>	9.2	0.0	+ 0.4
<b>E</b>	17.9	0.0	+ 0.6
<b>F</b>	9.4	-0.3	0.0
<b>G</b>	3.8	-0.6	+ 0.6
<b>H</b>	4.4	0.0	+ 0.3
Eff. Parameters			
Ae mm <sup>2</sup>	Amin mm <sup>2</sup>	le mm	Ve mm <sup>3</sup>
63.4	50.9	31.5	2000

## INDUCTANCE

AL value (nH)	Test conditions
Nom: 16000 Min.: 11200	10 kHz, < 0.5 mT, 25 °C

## MARKING

No marking

## LOSS FACTOR

$\tan \delta/\mu$ ( $\times 10^{-6}$ )	Test conditions
< 3.5	10 kHz, < 0.25 mT, 25 °C
< 50	100 kHz, < 0.25 mT, 25 °C

## NOTE

Spec. modifications	Previous	Revised
2005-06-22	A=21.22 Min. G=3.1 Nom. G=2.99 Min. H=4.55±0.1  Loss factor: General W material Marking	A=21.2 Min. G=3.8±0.6  H=4.4 Min. H=4.7 Max. Loss factor: Detail as indicated No Marking