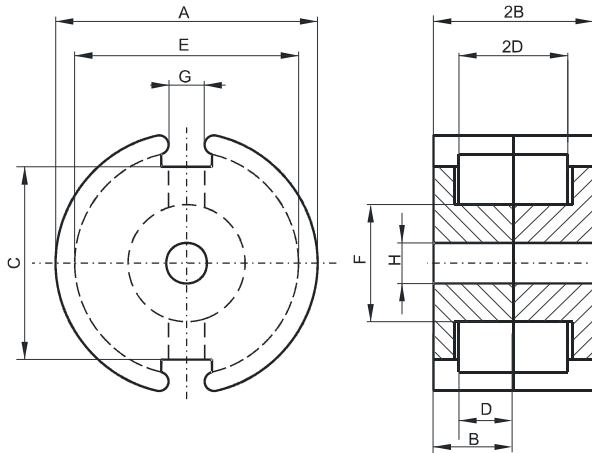


DIMENSIONS



(mm)	Nominal:	Tol. min.:	Tol. max.:
A	25.5	-0.5	+ 0.5
B	8.05	-0.1	+ 0.1
2B	16.1	-0.2	+ 0.2
C	18.0	-0.4	+ 0.4
D	5.5 Min.		
2D	11.0 Min.		
E	21.6	-0.4	+ 0.4
F	11.3	-0.2	+ 0.2
G	3.8	-0.6	+ 0.6
H	5.5	-0.1	+ 0.1
Eff. Parameters			
Ae mm²	Amin mm²	le mm	Ve mm³
93.9	77.4	37.6	3530

INDUCTANCE

AL value (nH)	Test conditions
Nom: 20000 Min.: 14000	10 kHz, < 0.5 mT, 25 °C

MARKING

No marking

LOSS FACTOR

tan δ/μ (x10⁻⁶)	Test conditions
< 3.5	10 kHz, < 0.25 mT, 25 °C
< 50	100 kHz, < 0.25 mT, 25 °C

NOTE

Spec. modifications	Previous	Revised
2005-06-16	2D=11.02 Min. D=5.51 Min. F=11.48 Max. G=4.2 Nom. G=4.11 Min. H=5.56±0.1 Loss factor: General W material Marking	2D=11.0 Min. D=5.5 Min. F=11.5 Max. G=3.8±0.6 H=5.5±0.1 Loss factor: Detail as indicated No marking