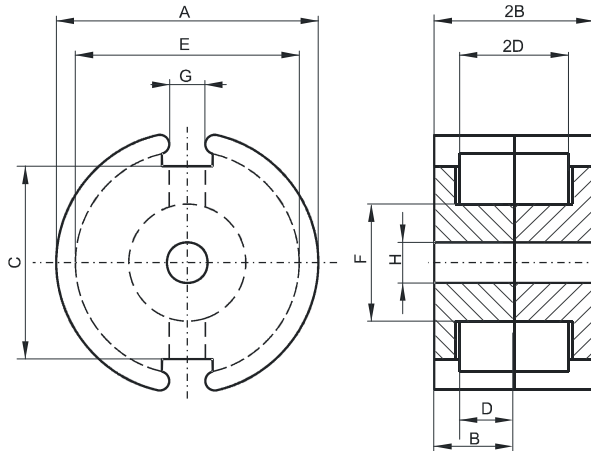


DIMENSIONS



| (mm) | Nominal: | Tol. min.: | Tol. max.: |
|--------------------------|----------------------------|--------------|--------------------------|
| A | 30.0 | -0.5 | + 0.5 |
| B | 9.45 | -0.05 | + 0.05 |
| 2B | 18.9 | -0.1 | + 0.1 |
| C | 20.5 | -0.5 | + 0.5 |
| D | 6.5 Min. | | |
| 2D | 13.0 Min. | | |
| E | 25.4 | -0.4 | + 0.4 |
| F | 13.3 | -0.2 | + 0.2 |
| G | 4.3 | -0.6 | + 0.6 |
| H | 5.5 | -0.1 | + 0.1 |
| Eff. Parameters | | | |
| Ae mm² | Amin mm² | le mm | Ve mm³ |
| 137.0 | 116.0 | 45.2 | 6190 |

INDUCTANCE

MARKING

| AL value (nH/T²) | Test conditions | No marking |
|------------------------------------|-------------------------|-------------------|
| Nom: 25000 Min.: 18750 | 10 kHz, < 0.5 mT, 25 °C | |

LOSS FACTOR

| tan δ/μ | Test conditions |
|--------------------------|---------------------------|
| < 3.5 · 10 ⁻⁶ | 10 kHz, < 0.25 mT, 25 °C |
| < 50 · 10 ⁻⁶ | 100 kHz, < 0.25 mT, 25 °C |

NOTE

| Spec. modifications | Previous | Revised |
|----------------------------|--|---|
| 2005-06-22 | C=22.2 Nom. G=4.0 Nom. G=3.86 Min. H=5.56±0.1 Loss factor: General W material Marking | C=20.5 Nom. G=4.3±0.6 H=5.5±0.1 Loss factor: Detail as indicated No marking |