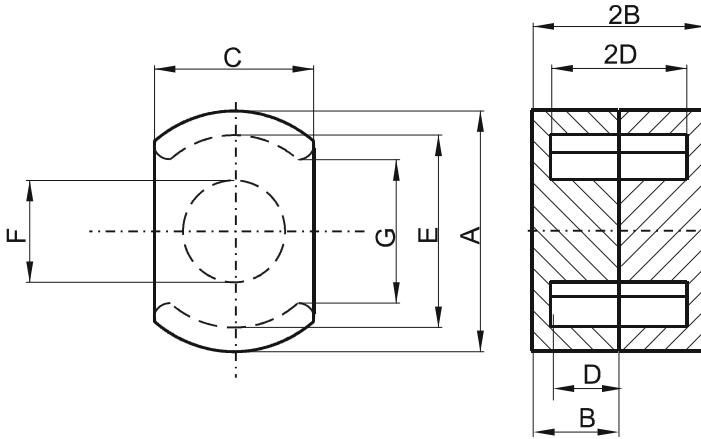


Specification for:

**DF42311UG**

110 Delta Drive  
Pittsburgh, PA 15238  
Phone: 412/696-1333  
Fax: 412/696-0333  
Email: magnetics@spang.com

**DIMENSIONS**



(mm)	Nominal:	Tol. min.:	Tol. max.:
<b>A</b>	22.86	-0.46	+ 0.46
<b>B</b>	5.54	-0.13	+ 0.13
<b>2B</b>	11.08	-0.26	+ 0.26
<b>C</b>	15.24	-0.25	+ 0.25
<b>D</b>	3.63 Min.		
<b>2D</b>	7.26 Min.		
<b>E</b>	17.93 Min.		
<b>F</b>	9.9 Max.		
<b>G</b>	13.21 Min.		
Eff. Parameters			
<b>Ae mm<sup>2</sup></b>	<b>Amin mm<sup>2</sup></b>	<b>le mm</b>	<b>Ve mm<sup>3</sup></b>
51.2	37.8	26.8	1370

**INDUCTANCE**

AL value (nH)	Test conditions
4460 ± 25%	10 kHz, < 0.5 mT, 25 °C

**MARKING**

F UG
---------

**CORE LOSSES**

P <sub>i</sub> max	Test conditions
204 mW/cm <sup>3</sup> (0.28 W/set)	25 kHz, 200 mT, 100 °C

**NOTE**

Spec. modifications	Previous	Revised
2005-06-22	Losses: General F material	Losses: Detail as indicated