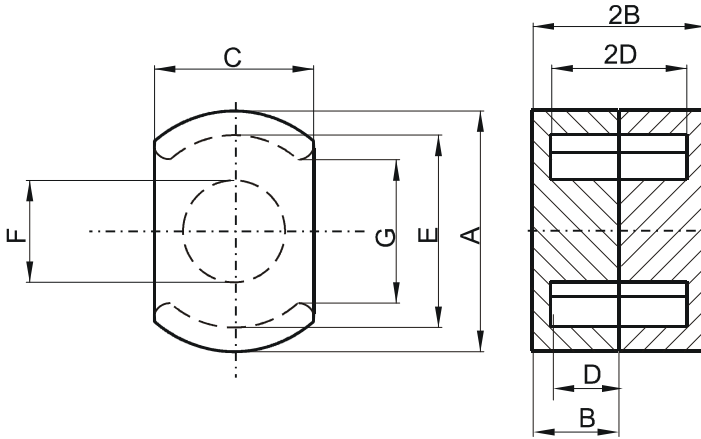


Specification for:

DP42311UG

110 Delta Drive
Pittsburgh, PA 15238
Phone: 412/696-1333
Fax: 412/696-0333
Email: magnetics@spang.com

DIMENSIONS



(mm)	Nominal:	Tol. min.:	Tol. max.:
A	22.86	-0.46	+ 0.46
B	5.54	-0.13	+ 0.13
2B	11.08	-0.26	+ 0.26
C	15.24	-0.25	+ 0.25
D	3.63 Min.		
2D	7.26 Min.		
E	17.93 Min.		
F	9.9 Max.		
G	13.21 Min.		
Eff. Parameters			
Ae mm²	Amin mm²	le mm	Ve mm³
51.2	37.8	26.8	1370

INDUCTANCE

AL value (nH)	Test conditions
Nom: 3747 Min.: 2810	10 kHz, < 0.5 mT, 25 °C

MARKING

P UG

CORE LOSSES

P _i max	Test conditions
117 mW/cm ³ (0.16 W/set)	100 kHz, 100 mT, 100 °C

NOTE

Spec. modifications	Previous	Revised
2005-06-22	Losses: General P material	Losses: Detail as indicated