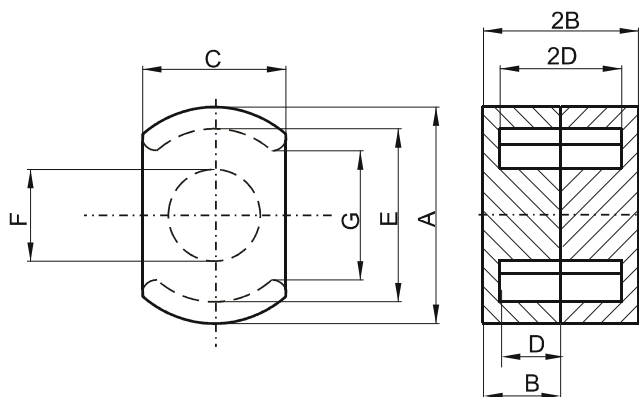


Specification for:

DP42616UG

110 Delta Drive
Pittsburgh, PA 15238
Phone: 412/696-1333
Fax: 412/696-0333
Email: magnetics@spang.com

DIMENSIONS



(mm)	Nominal:	Tol. min.:	Tol. max.:
A	25.5	-0.51	+ 0.51
B	8.05	-0.1	+ 0.1
2B	16.1	-0.2	+ 0.2
C	17.09 Nom.		
D	5.51 Min.		
2D	11.02 Min.		
E	21.21 Min.		
F	11.48 Max.		
G	15.5 Min.		
Eff. Parameters			
Ae mm²	Amin mm²	le mm	Ve mm³
77.0	62.7	38.9	3000

INDUCTANCE

MARKING

AL value (nH/T²)	Test conditions	P UG
Nom: 4160 Min.: 3120	10 kHz, < 0.5 mT, 25 °C	

CORE LOSSES

P_i max	Test conditions
117 mW/cm ³ (0.35 W/set)	100 kHz, 100 mT, 100 °C

NOTE

Spec. modifications	Previous	Revised
2005-06-22	Losses: General P material	Losses: Detail as indicated