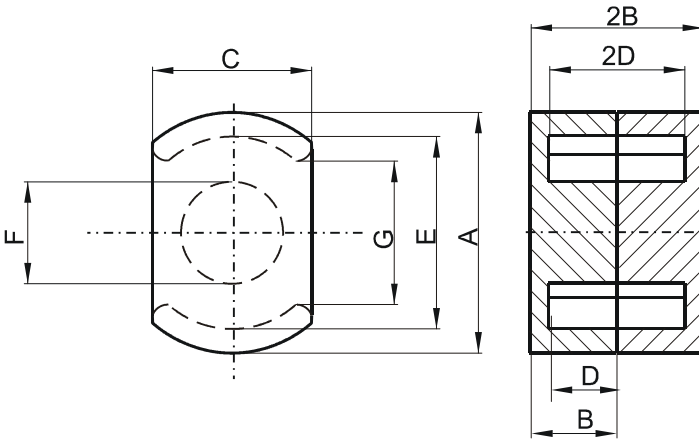


DP-43622-UG

DIMENSIONS



(mm)	Nominal:	Tol. min.:	Tol. max.:
A	35.61	-0.51	+ 0.51
B	10.85	-0.125	+ 0.125
2B	21.7	-0.25	+ 0.25
C	23.85 Nom.		
D	7.29 Min.		
2D	14.58 Min.		
E	29.9 Min.		
F	16.1 Max.		
G	20.3 Min.		
Eff. Parameters			
Ae mm²	Amin mm²	le mm	Ve mm³
162.0	140.0	56.9	9250

INDUCTANCE

AL value (nH/T ²)	Test conditions
Nom: 5827 Min.: 4370	10 kHz, < 0.5 mT, 25 °C

MARKING

DP43622UG
PXXXXXXXXX

BREAKING STRENGTH

F (N)	Test conditions
> 80	Z-Test

CORE LOSSES

P _i max	Test conditions
< 1.06 W/set (< 115 mW/cm ³)	100 kHz, 100 mT, 100 °C

NOTE

Spec. modifications	Previous	Revised
2007-07-11	Losses: General P material	Losses: Detail as indicated
2013-07-22	Marking: DP43622UG PXXXXX	Marking: DP43622UG PXXXXXXXXX