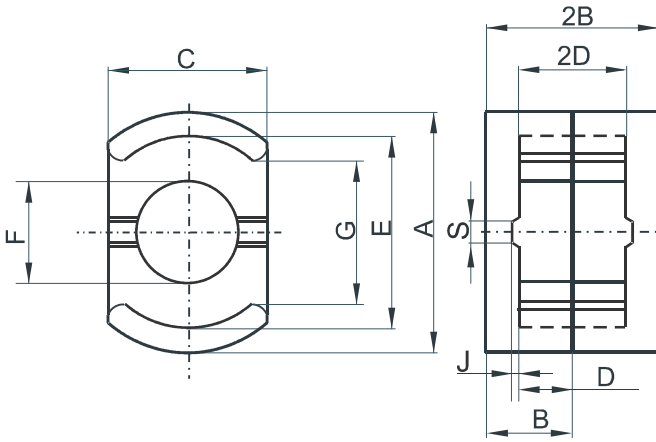


**DP-44229-UG**

**DIMENSIONS**



(mm)	Nominal:	Tol. min.:	Tol. max.:
<b>A</b>	42.4	-0.71	+ 0.71
<b>B</b>	14.8	-0.2	+ 0.2
<b>2B</b>	29.6	-0.4	+ 0.4
<b>C</b>	28.4 Nom.		
<b>D</b>	10.21 Min.		
<b>2D</b>	20.42 Min.		
<b>E</b>	35.61 Min.		
<b>F</b>	17.7 Max.		
<b>G</b>	24.5 Min.		
<b>J</b>	1.1 Ref.		
<b>S</b>	5.03 Ref.		
Eff. Parameters			
<b>Ae mm<sup>2</sup></b>	<b>Amin mm<sup>2</sup></b>	<b>le mm</b>	<b>Ve mm<sup>3</sup></b>
232.0	211	76.0	17600

**INDUCTANCE**

AL value (nH/T <sup>2</sup> )	Test conditions
Nom: 7000 Min.: 5250	10 kHz, < 0.5 mT, 25 °C

**MARKING**

DP44229UG PXXXXXXXXX
-------------------------

**BREAKING STRENGTH**

F (N)	Test conditions
> 120	Z-Test

**CORE LOSSES**

P <sub>i</sub> max	Test conditions
< 2.02 W/set (< 115 mW/cm <sup>3</sup> )	100 kHz, 100 mT, 100 °C

**NOTE**

Spec. modifications	Previous	Revised
2008-02-19	G = 25.0 Min. Losses: General P material	G = 24.5 Min. Losses: Detail as indicated
2013-07-22	Marking: DP44229UG PXXXXX	Marking: DP44229UG PXXXXXXXXX