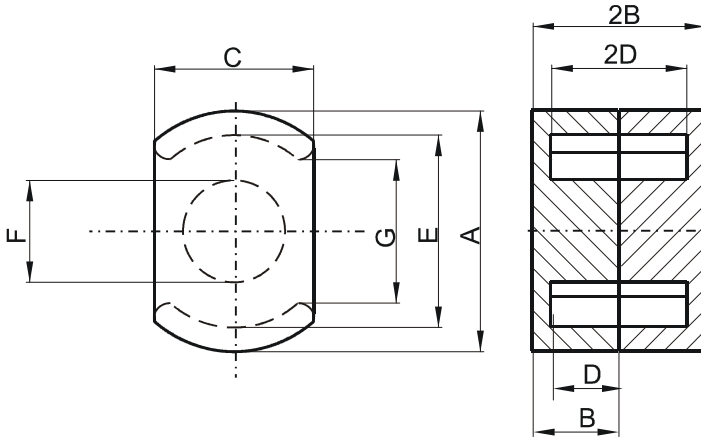


Specification for:

## DR42311UG

110 Delta Drive  
Pittsburgh, PA 15238  
Phone: 412/696-1333  
Fax: 412/696-0333  
Email: magnetics@spang.com

### DIMENSIONS



(mm)	Nominal:	Tol. min.:	Tol. max.:
<b>A</b>	22.86	-0.46	+ 0.46
<b>B</b>	5.54	-0.13	+ 0.13
<b>2B</b>	11.08	-0.26	+ 0.26
<b>C</b>	15.24	-0.25	+ 0.25
<b>D</b>	3.63 Min.		
<b>2D</b>	7.26 Min.		
<b>E</b>	17.93 Min.		
<b>F</b>	9.9 Max.		
<b>G</b>	13.21 Min.		
Eff. Parameters			
Ae mm <sup>2</sup>	Amin mm <sup>2</sup>	le mm	Ve mm <sup>3</sup>
51.2	37.8	26.8	1370

### INDUCTANCE

AL value (nH)	Test conditions
Nom: 3440 Min.: 2580	10 kHz, < 0.5 mT, 25 °C

### MARKING

R UG
---------

### CORE LOSSES

P <sub>i</sub> max	Test conditions
95 mW/cm <sup>3</sup> (0.13 W/set)	100 kHz, 100 mT, 100 °C
584 mW/cm <sup>3</sup> (0.8 W/set)	100 kHz, 200 mT, 100 °C

### NOTE

Spec. modifications	Previous	Revised
2005-06-22	Losses: General R material	Losses: Detail as indicated