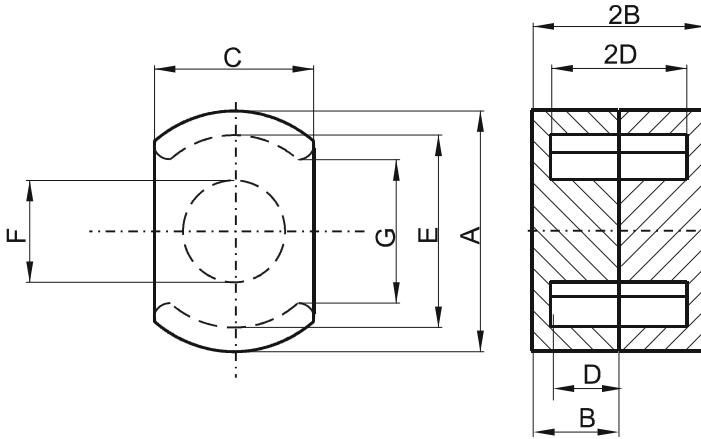


**DIMENSIONS**



(mm)	Nominal:	Tol. min.:	Tol. max.:
<b>A</b>	25.5	-0.51	+ 0.51
<b>B</b>	8.05	-0.1	+ 0.1
<b>2B</b>	16.1	-0.2	+ 0.2
<b>C</b>	17.09 Nom.		
<b>D</b>	5.51 Min.		
<b>2D</b>	11.02 Min.		
<b>E</b>	21.21 Min.		
<b>F</b>	11.48 Max.		
<b>G</b>	15.5 Min.		
<b>Eff. Parameters</b>			
<b>Ae mm<sup>2</sup></b>	<b>Amin mm<sup>2</sup></b>	<b>le mm</b>	<b>Ve mm<sup>3</sup></b>
77.0	62.7	38.9	3000

**INDUCTANCE**

AL value (nH)	Test conditions
Nom: 13000 Min.: 9100	10 kHz, < 0.5 mT, 25 °C

**MARKING**

No marking
------------

**LOSS FACTOR**

$\tan \delta/\mu$ ( $\times 10^{-6}$ )	Test conditions
< 3.5	10 kHz, < 0.25 mT, 25 °C
< 50	100 kHz, < 0.25 mT, 25 °C

**NOTE**

Spec. modifications	Previous	Revised
2005-06-22	Loss factor: General W material Marking	Loss factor: Detail as indicated No marking