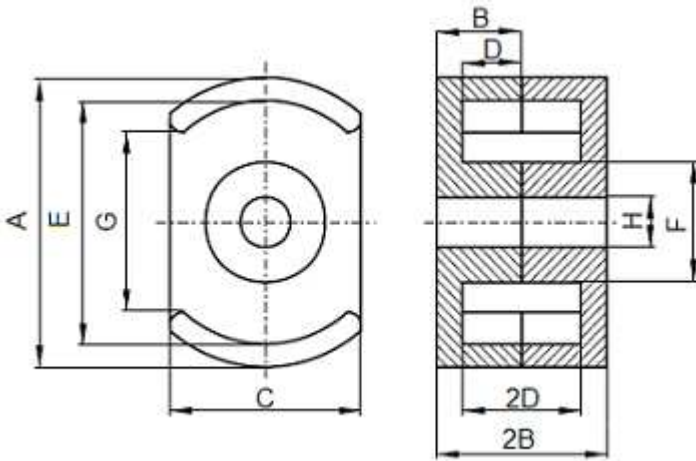


Specification for:

## HF41408UG

110 Delta Drive  
Pittsburgh, PA 15238  
Phone: 412/696-1333  
Fax: 412/696-0333  
Email: magnetics@spang.com

### DIMENSIONS



(mm)	Nominal:	Tol. min.:	Tol. max.:
A	14.0	-0.25	+ 0.25
B	4.24	-0.13	0.0
2B	8.48	-0.28	0.0
C	9.4	-0.15	+ 0.15
D	2.8 MIN		
2D	5.58 MIN		
E	11.6 MIN		
F	5.99 MAX		
G	7.6 MIN		
H	3.1	-0.08	+ 0.08
<b>Eff. Parameters</b>			
<b>Ae mm<sup>2</sup></b>	<b>Amin mm<sup>2</sup></b>	<b>le mm</b>	<b>Ve mm<sup>3</sup></b>
21.0	19.2	20.6	433

### INDUCTANCE

AL value (nH)	Test conditions
1990 ± 25%	10 kHz, < 0.5 mT, 25 °C

### MARKING

No marking

### CORE LOSSES

P <sub>i</sub> max	Test conditions
231 mW/cm <sup>3</sup> (0.1 W/set)	25 kHz, 200 mT, 100 °C

### NOTE

Spec. modifications	Previous	Revised
2005-06-22	LOSSES: GENERAL F MATERIAL	LOSSES: DETAIL AS INDICATED