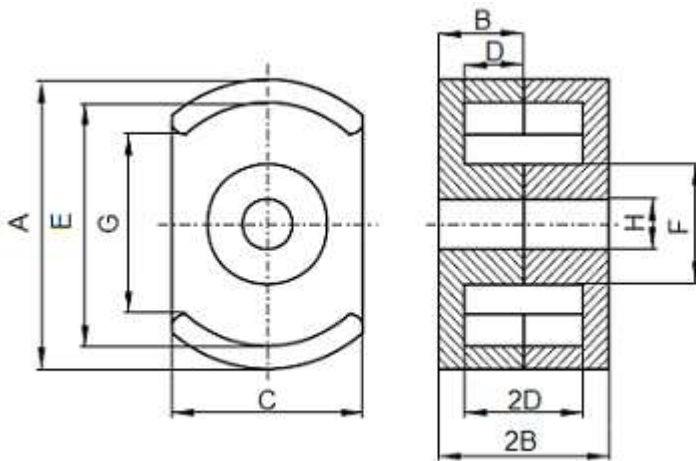


Specification for:

## HF42616UG

110 Delta Drive  
Pittsburgh, PA 15238  
Phone: 412/696-1333  
Fax: 412/696-0333  
Email: magnetics@spang.com

### DIMENSIONS



(mm)	Nominal:	Tol. min.:	Tol. max.:
<b>A</b>	25.5	-0.51	+ 0.51
<b>B</b>	8.05	-0.1	+ 0.1
<b>2B</b>	16.1	-0.2	+ 0.2
<b>C</b>	17.09 NOM		
<b>D</b>	5.51 MIN		
<b>2D</b>	11.02 MIN		
<b>E</b>	21.21 MIN		
<b>F</b>	11.48 MAX		
<b>G</b>	15.5 MIN		
<b>H</b>	5.56	-0.1	+ 0.1
<b>Eff. Parameters</b>			
<b>Ae mm<sup>2</sup></b>	<b>Amin mm<sup>2</sup></b>	<b>le mm</b>	<b>Ve mm<sup>3</sup></b>
72.1	62.7	39.0	2810

### INDUCTANCE

AL value (nH)	Test conditions
4600 ± 25%	10 kHz, < 0.5 mT, 25 °C

### MARKING

F UG
---------

### CORE LOSSES

P <sub>i</sub> max	Test conditions
214 mW/cm <sup>3</sup> (0.6 W/set)	25 kHz, 200 mT, 100 °C

### NOTE

Spec. modifications	Previous	Revised
2005-06-22	LOSSES: GENERAL F MATERIAL	LOSSES: DETAIL AS INDICATED