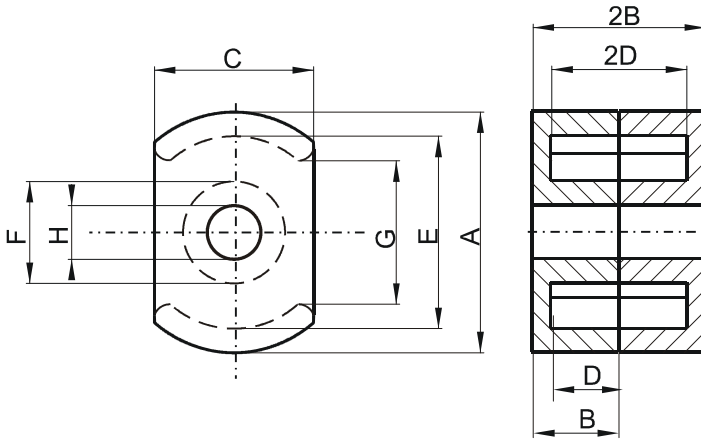


HP41408UG

DIMENSIONS



| (mm) | Nominal: | Tol. min.: | Tol. max.: |
|--------------------------|----------------------------|--------------|--------------------------|
| A | 14.0 | -0.25 | + 0.25 |
| B | 4.24 | -0.13 | 0.0 |
| 2B | 8.48 | -0.26 | 0.0 |
| C | 9.4 | -0.15 | + 0.15 |
| D | 2.8 Min. | | |
| 2D | 5.58 Min. | | |
| E | 11.6 Min. | | |
| F | 5.99 Max. | | |
| G | 7.6 Min. | | |
| H | 3.1 | -0.1 | + 0.1 |
| Eff. Parameters | | | |
| Ae mm² | Amin mm² | le mm | Ve mm³ |
| 21.0 | 19.2 | 20.6 | 433 |

INDUCTANCE

| AL value (nH/T ²) | Test conditions |
|-------------------------------|-------------------------|
| Nom: 1667 Min.: 1250 | 10 kHz, < 0.5 mT, 25 °C |

MARKING

No marking

CORE LOSSES

| P _i max | Test conditions |
|--|-------------------------|
| < 0.054 W/set (< 125 mW/cm ³) | 100 kHz, 100 mT, 100 °C |

NOTE

| Spec. modifications | Previous | Revised |
|---------------------|---|--|
| 2005-06-22 | G=7.62 Min. Losses: General P material | G=7.60 Min. Losses: Detail as indicated |
| 2011-03-25 | H-3.1±0.08 | H-3.1±0.1 |