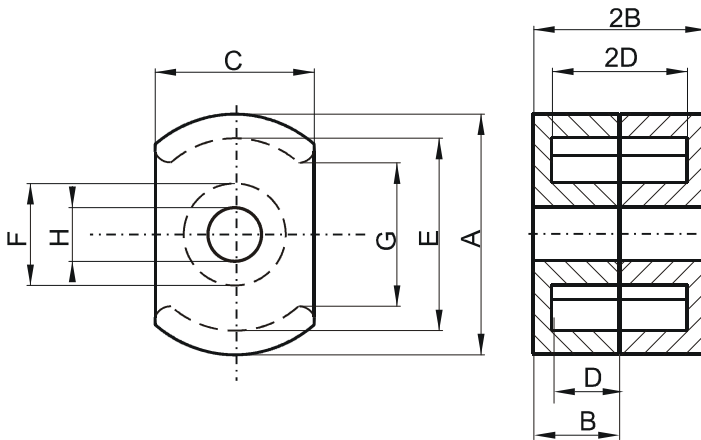


**DIMENSIONS**



(mm)	Nominal:	Tol. min.:	Tol. max.:
<b>A</b>	30.0	-0.51	+ 0.51
<b>B</b>	9.4	-0.1	+ 0.1
<b>2B</b>	18.8	-0.2	+ 0.2
<b>C</b>	20.32	-0.25	+ 0.25
<b>D</b>	6.5 Min.		
<b>2D</b>	13.0 Min.		
<b>E</b>	25.0 Min.		
<b>F</b>	13.51 Max.		
<b>G</b>	15.49 Min.		
<b>H</b>	5.56	-0.1	+ 0.1
<b>Eff. Parameters</b>			
<b>Ae mm<sup>2</sup></b>	<b>Amin mm<sup>2</sup></b>	<b>le mm</b>	<b>Ve mm<sup>3</sup></b>
111.0	96.0	46.1	5110

**INDUCTANCE**

<b>AL value (nH/T<sup>2</sup>)</b>	<b>Test conditions</b>
Nom: 4600 Min.: 3450	10 kHz, < 0.5 mT, 25 °C

**MARKING**

HP43019UG PXXXXX
---------------------

**CORE LOSSES**

<b>P<sub>i</sub> max</b>	<b>Test conditions</b>
115 mW/cm <sup>3</sup> (0.59 W/set)	100 kHz, 100 mT, 100 °C

**NOTE**

<b>Spec. modifications</b>	<b>Previous</b>	<b>Revised</b>
2005-06-22	Losses: General P material	Losses: Detail as indicated