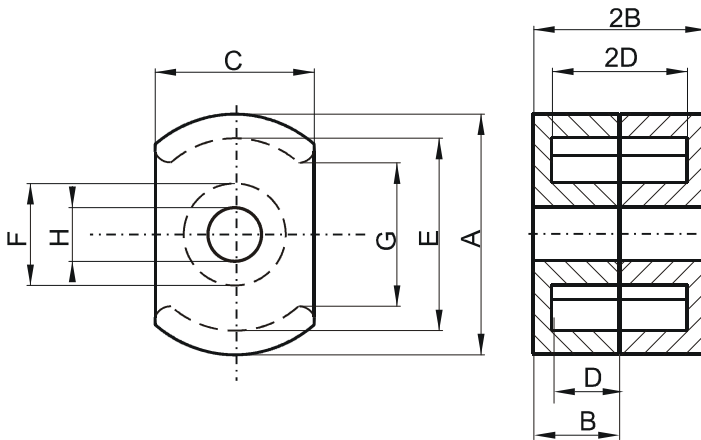


DIMENSIONS



(mm)	Nominal:	Tol. min.:	Tol. max.:
A	35.61	-0.51	+ 0.51
B	10.85	-0.125	+ 0.125
2B	21.7	-0.25	+ 0.25
C	23.85 Nom.		
D	7.29 Min.		
2D	14.58 Min.		
E	29.85 Min.		
F	16.1 Max.		
G	20.3 Min.		
H	5.56	0.1	+ 0.1
Eff. Parameters			
Ae mm²	Amin mm²	le mm	Ve mm³
157	140	57.6	9030

INDUCTANCE

MARKING

AL value (nH/T ²)	Test conditions	HP43622UG PXXXXX
Nom: 5400 Min.: 4050	10 kHz, < 0.5 mT, 25 °C	

CORE LOSSES

P _i max	Test conditions
< 1.03 W/set (< 114 mW/cm ³)	100 kHz, 100 mT, 100 °C

NOTE

Spec. modifications	Previous	Revised
2007-07-11	Losses: General P material	Losses: Detail as indicated