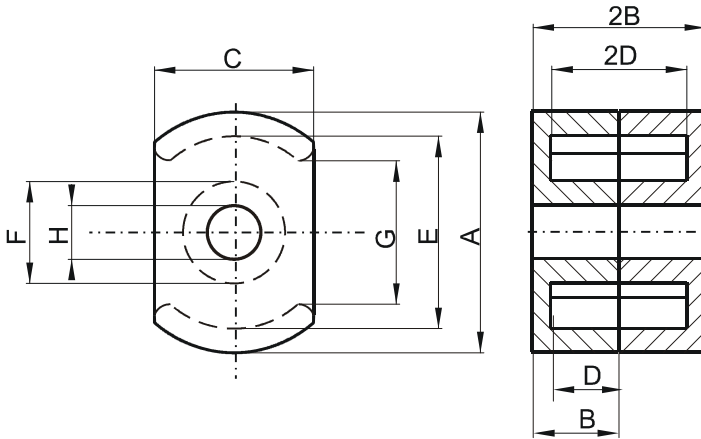


# HR41408UG

## DIMENSIONS



(mm)	Nominal:	Tol. min.:	Tol. max.:
<b>A</b>	14.0	-0.25	+ 0.25
<b>B</b>	4.24	-0.13	0.0
<b>2B</b>	8.48	-0.26	0.0
<b>C</b>	9.4	-0.15	+ 0.15
<b>D</b>	2.8 Min.		
<b>2D</b>	5.58 Min.		
<b>E</b>	11.6 Min.		
<b>F</b>	5.99 Max.		
<b>G</b>	7.6 Min.		
<b>H</b>	3.1	-0.1	+ 0.1
<b>Eff. Parameters</b>			
<b>Ae mm<sup>2</sup></b>	<b>Amin mm<sup>2</sup></b>	<b>le mm</b>	<b>Ve mm<sup>3</sup></b>
21.0	19.2	20.6	433

## INDUCTANCE

AL value (nH/T <sup>2</sup> )	Test conditions
Nom: 1533 Min.: 1150	10 kHz, < 0.5 mT, 25 °C

## MARKING

No marking

## CORE LOSSES

P <sub>i</sub> max	Test conditions
< 0.043 W/set (< 99 mW/cm <sup>3</sup> )	100 kHz, 100 mT, 100 °C
< 0.25 W/set (< 577 mW/cm <sup>3</sup> )	100 kHz, 200 mT, 100 °C

## NOTE

Spec. modifications	Previous	Revised
2005-06-22	G=7.62 Min. Losses: General R material	G=7.60 Min. Losses: Detail as indicated
2011-03-25	H-3.1±0.08	H-3.1±0.1