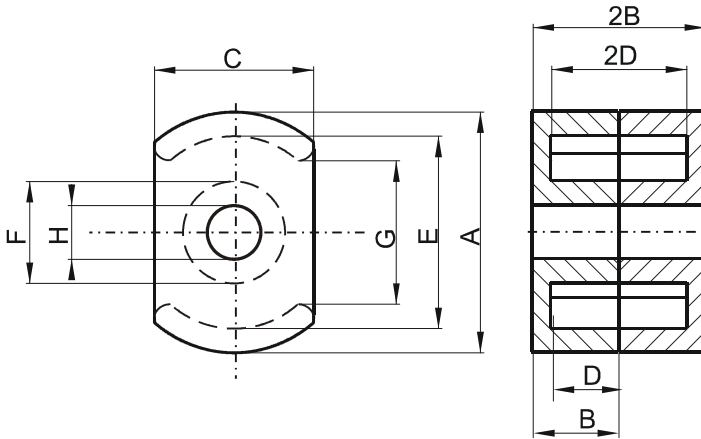


HW41408UG

DIMENSIONS



(mm)	Nominal:	Tol. min.:	Tol. max.:
A	14.0	-0.25	+ 0.25
B	4.24	-0.13	0.0
2B	8.48	-0.26	0.0
C	9.4	-0.15	+ 0.15
D	2.8 Min.		
2D	5.58 Min.		
E	11.6 Min.		
F	5.99 Max.		
G	7.6 Min.		
H	3.1	-0.1	+ 0.1
Eff. Parameters			
Ae mm²	Amin mm²	le mm	Ve mm³
21.0	19.2	20.6	433

INDUCTANCE

AL value (nH/T ²)	Test conditions
Nom: 7043 Min.: 4930	10 kHz, < 0.5 mT, 25 °C

MARKING

No marking

LOSS FACTOR

$\tan \delta/\mu$	Test conditions
< $3 \cdot 10^{-6}$	10 kHz, < 0.25 mT, 25 °C
< $45 \cdot 10^{-6}$	100 kHz, < 0.25 mT, 25 °C

NOTE

Spec. modifications	Previous	Revised
2005-06-22	G=7.62 Min. Loss factor: General W material	G=7.60 Min. Loss factor: Detail as indicated
2011-03-25	H-3.1±0.08	H-3.1±0.1