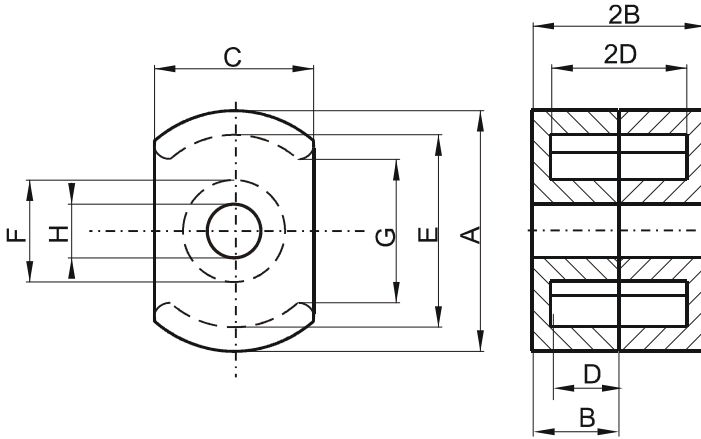


DIMENSIONS



(mm)	Nominal:	Tol. min.:	Tol. max.:
A	22.86	-0.46	+ 0.46
B	5.54	-0.13	+ 0.13
2B	11.08	-0.26	+ 0.26
C	15.24	-0.25	+ 0.25
D	3.63 Min.		
2D	7.26 Min.		
E	17.93 Min.		
F	9.9 Max.		
G	13.21 Min.		
H	5.1	-0.1	+ 0.1
Eff. Parameters			
Ae mm²	Amin mm²	le mm	Ve mm³
48.2	37.8	27.0	1300

INDUCTANCE

AL value (nH)	Test conditions
Nom: 14021 Min.: 9815	10 kHz, < 0.5 mT, 25 °C

MARKING

No marking

LOSS FACTOR

$\tan \delta/\mu$ ($\times 10^{-6}$)	Test conditions
< 3.5	10 kHz, < 0.25 mT, 25 °C
< 50	100 kHz, < 0.25 mT, 25 °C

NOTE

Spec. modifications	Previous	Revised
2005-06-22	H=5.08±0.1 Loss factor: General W material	H=5.1±0.1 Loss factor: Detail as indicated