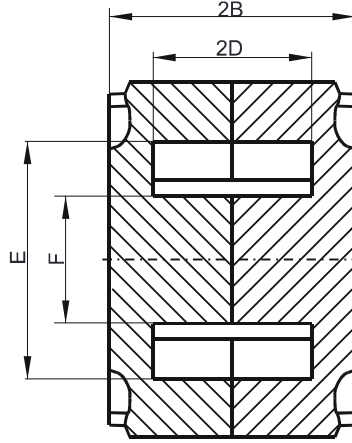
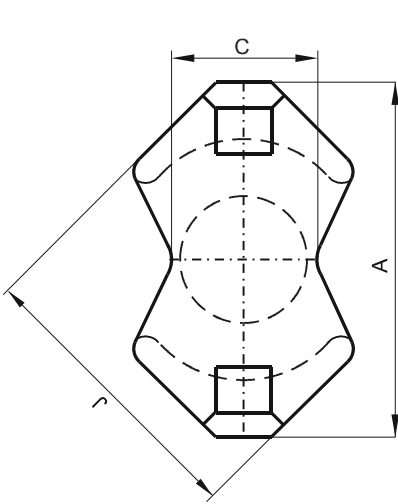


Specification for:

## NP42819UG

110 Delta Drive  
Pittsburgh, PA 15238  
Phone: 412/696-1333  
Fax: 412/696-0333  
Email: magnetics@spang.com

### DIMENSIONS



(mm)	Nominal:	Tol. min.:	Tol. max.:
<b>A</b>	28.5	-1.3	0.0
<b>B</b>	9.3	-0.05	+ 0.05
<b>2B</b>	18.6	-0.1	+ 0.1
<b>C</b>	13.5	-0.5	0.0
<b>D</b>	6.2	0.0	+ 0.3
<b>2D</b>	12.4	0.0	+ 0.6
<b>E</b>	21.2	0.0	+ 0.9
<b>F</b>	10.9	-0.4	0.0
<b>G</b>	10.9 min.		
<b>J</b>	24.7	-1.1	0.0
<b>Eff. Parameters</b>			
<b>Ae mm<sup>2</sup></b>	<b>Amin mm<sup>2</sup></b>	<b>le mm</b>	<b>Ve mm<sup>3</sup></b>
96.6	89.1	44.6	4310

### INDUCTANCE

AL value (nH)	Test conditions
Nom: 4400 Min.: 3300	10 kHz, < 0.5 mT, 25 °C

### MARKING

P UG
---------

### CORE LOSSES

P <sub>i</sub> max	Test conditions
110 mW/cm <sup>3</sup> (0.4741 W/set)	100 kHz, 100 mT, 100 °C

### NOTE

Spec. modifications	Previous	Revised
2005-06-22	C=13.46 MAX. G=11.4 NOM. LOSSES: GENERAL P MATERIAL	C=13.5 MAX. G=10.9 NOM. LOSSES: DETAIL AS INDICATED