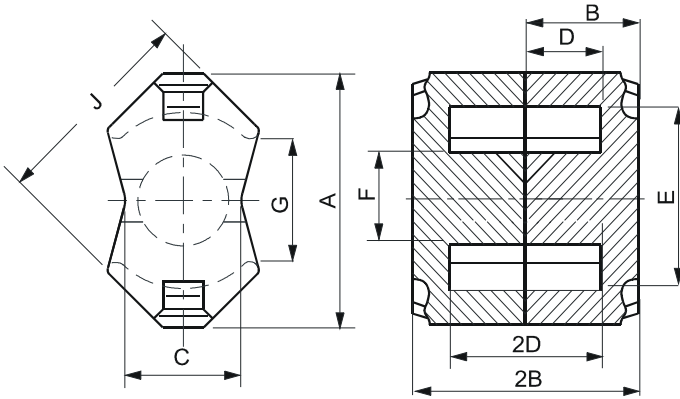


Specification for:

NR41912UG

110 Delta Drive
Pittsburgh, PA 15238
Phone: 412/696-1333
Fax: 412/696-0333
Email: magnetics@spang.com

DIMENSIONS



(mm)	Nominal:	Tol. min.:	Tol. max.:
A	18.3 Max.		
B	6.2	-0.05	+ 0.05
2B	12.4	-0.1	+ 0.1
C	8.2 Nom.		
D	4.1	-0.1	+ 0.1
2D	8.2	-0.2	+ 0.2
E	12.65	-0.25	+ 0.25
F	6.25	-0.15	+ 0.15
G	9.0 Nom.		
J	14.4	-0.3	+ 0.3
Eff. Parameters			
Ae mm²	Amin mm²	le mm	Ve mm³
37.0	31.2	29.2	1090

INDUCTANCE

AL value (nH)	Test conditions
Nom: 2213 Min.: 1660	10 kHz, < 0.5 mT, 25 °C

MARKING

No marking

CORE LOSSES

P _i max	Test conditions
101 mW/cm ³ (0.11 W/set)	100 kHz, 100 mT, 100 °C
550 mW/cm ³ (0.6 W/set)	100 kHz, 200 mT, 100 °C

NOTE

Spec. modifications	Previous	Revised
2005-06-22	Losses: General R material Marking	Losses: Detail as indicated No marking