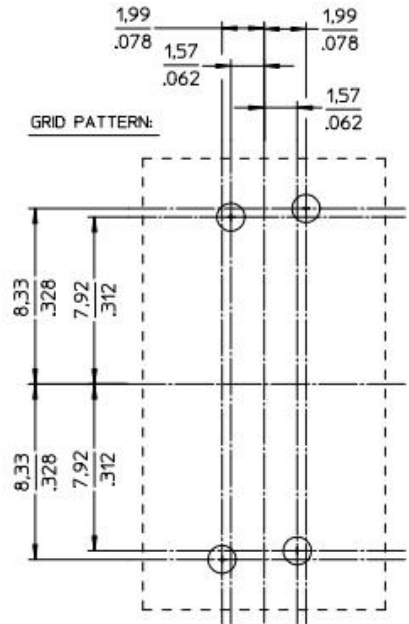
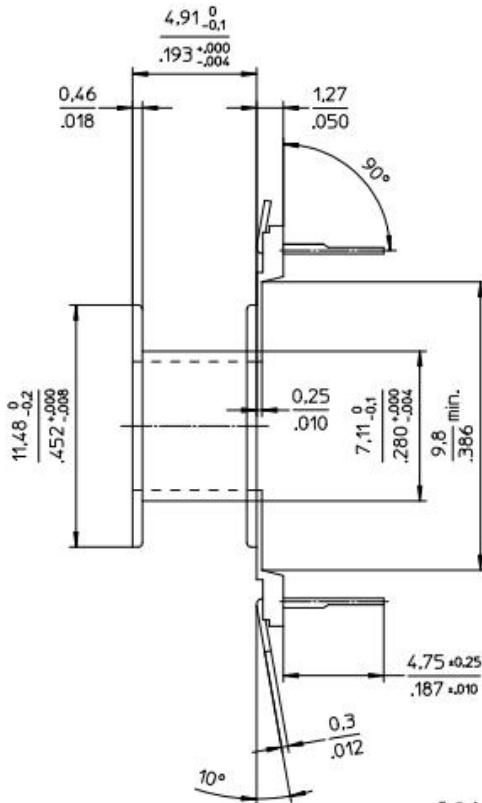
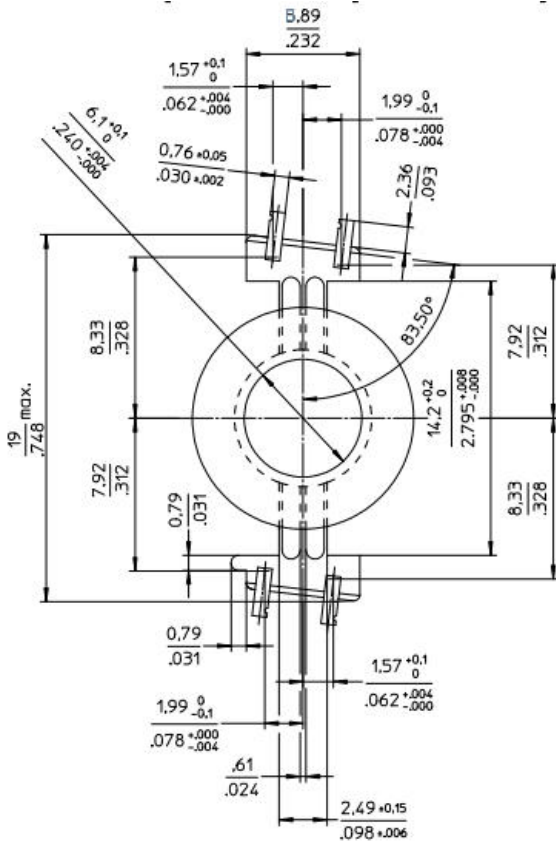




Specification for:  
**PCB1408-TB**

110 Delta Drive  
 Pittsburgh, PA 15238  
 Phone: 412/696-1333  
 Fax: 412/696-0333  
 Email:magnetics@spang.com



**MATERIAL**

Material: DuPont Zytel FR50; UL File Number E41938  
 Pin Material: Tin-Coated Brass

**REMARKS**