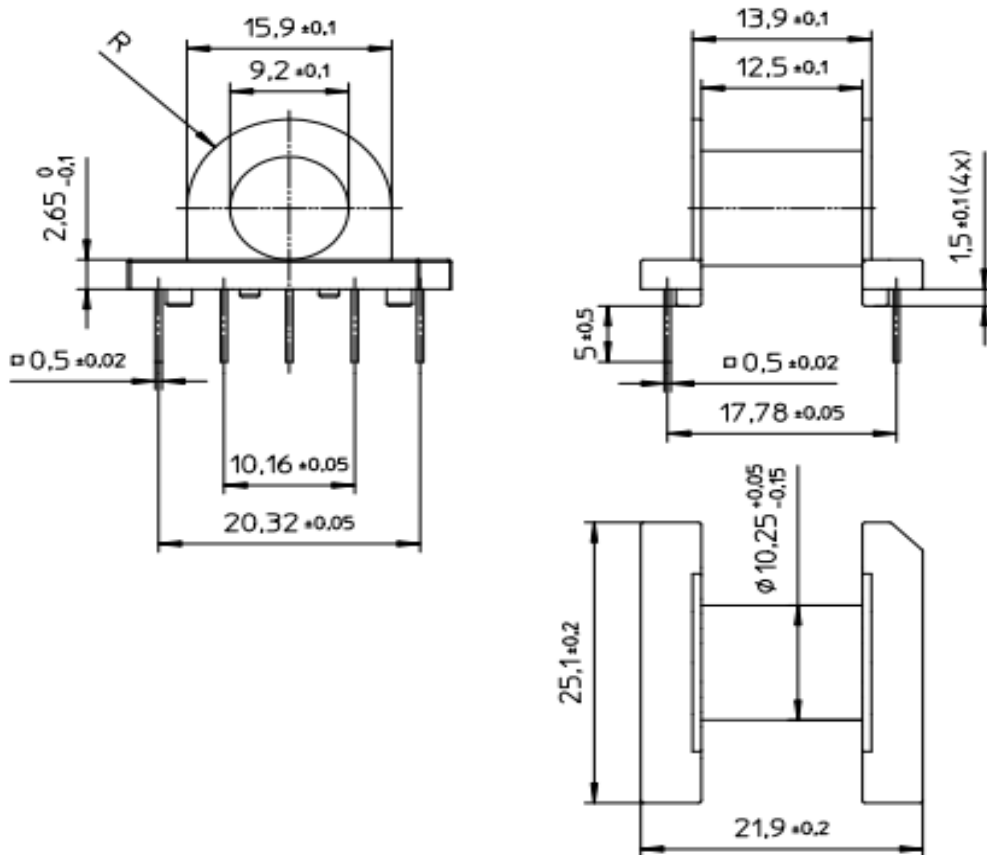




Specification for:
PCB2120VB

110 Delta Drive
Pittsburgh, PA 15238
Phone: 412/696-1333
Fax: 412/696-0333
Email:magnetics@spang.com



MATERIAL

Material: Sumikon PM9820 (PF), glass-reinforced. UL file number: E41429-UL94V-0.
Pin Material: Copperclad steel, Sn plated.

REMARKS

Revision -

Revision 10/27/2017