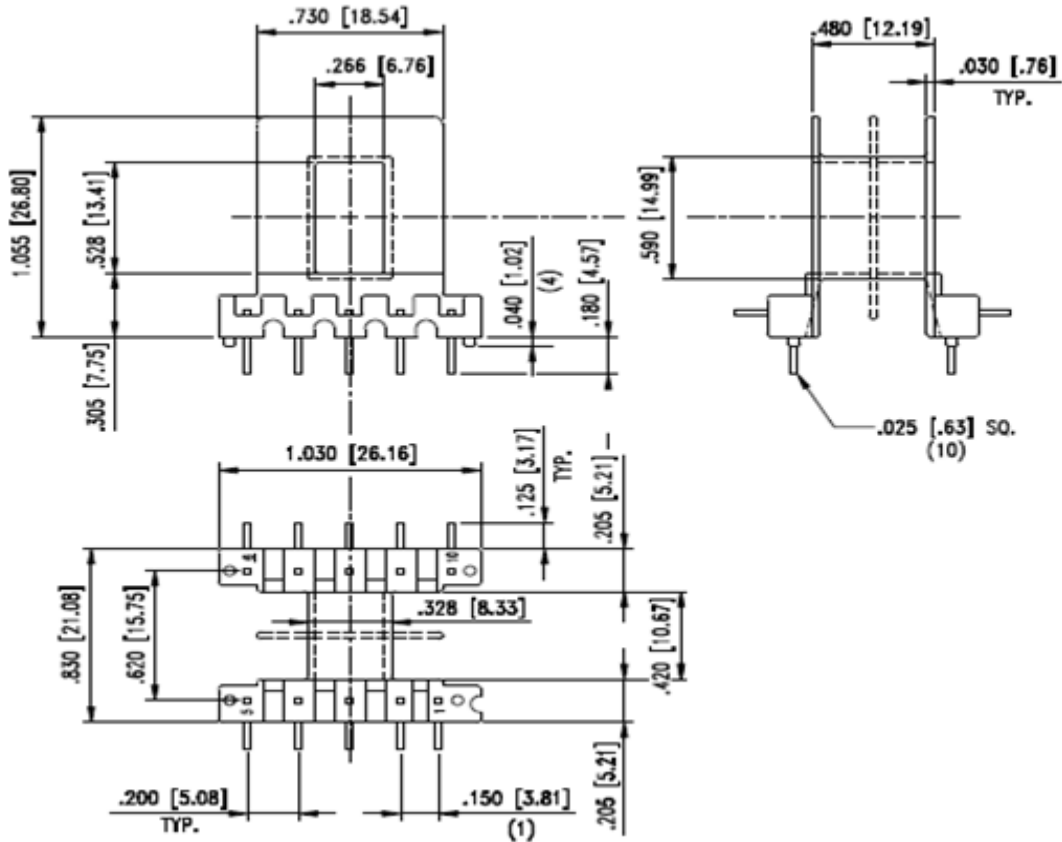




Specification for:
PCB2520TA

110 Delta Drive
Pittsburgh, PA 15238
Phone: 412/696-1333
Fax: 412/696-0333
Email:magnetics@spang.com



MATERIAL

Material: Glass Filled Polyethylene Terephthalate UL 94 V0 Rated

REMARKS

E core 25/10/13 PC Bobbin
Revision B

Revision 10/10/2013