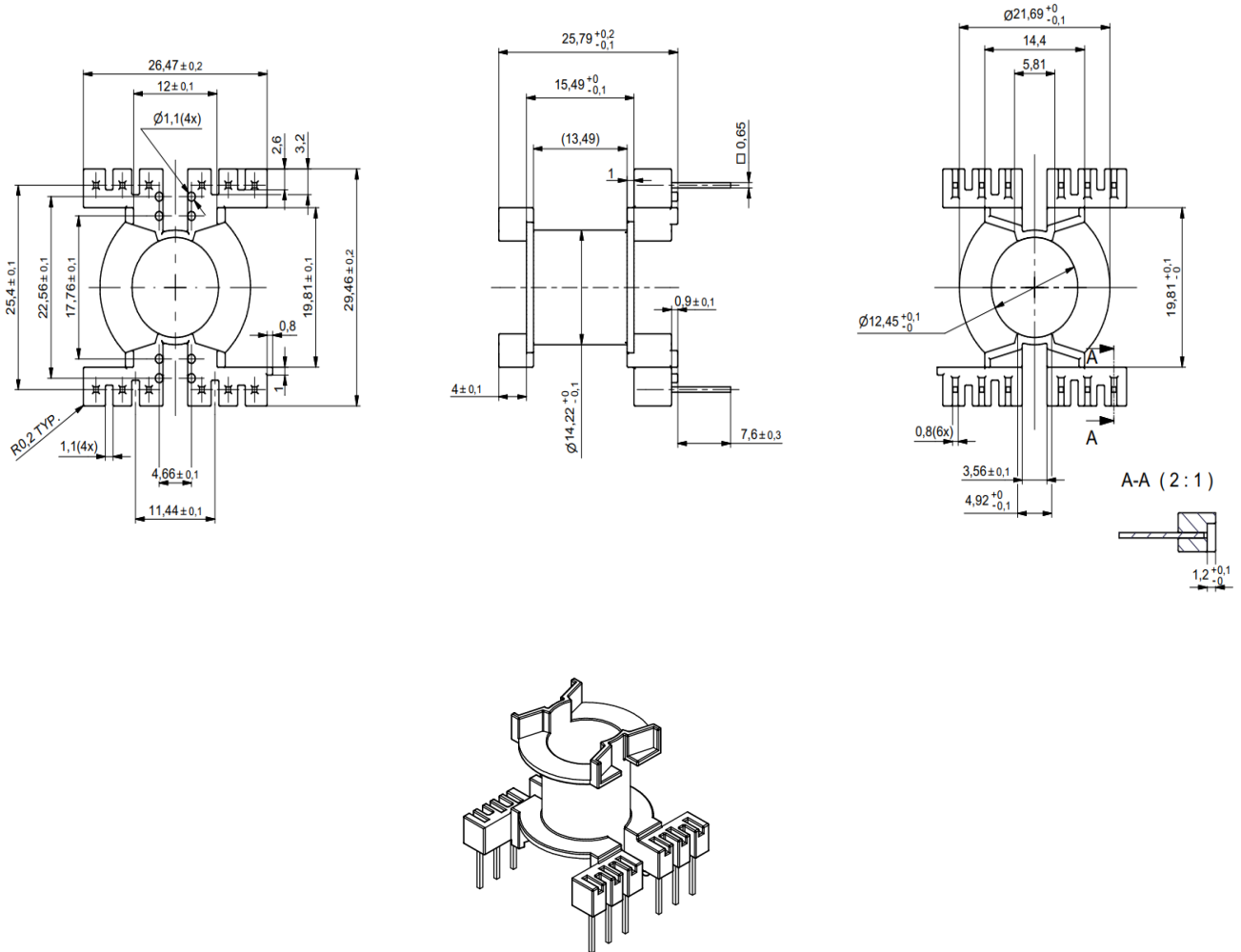




Specification for:
PCB2625LB

110 Delta Drive
 Pittsburgh, PA 15238
 Phone: 412/696-1333
 Fax: 412/696-0333
 Email:magnetics@spang.com



MATERIAL

Material: DuPont Rynite FR530; Pin: Copper-plated steel wire, Sn plated; UL E41938

REMARKS

Glass-Reinforced; Color: Black