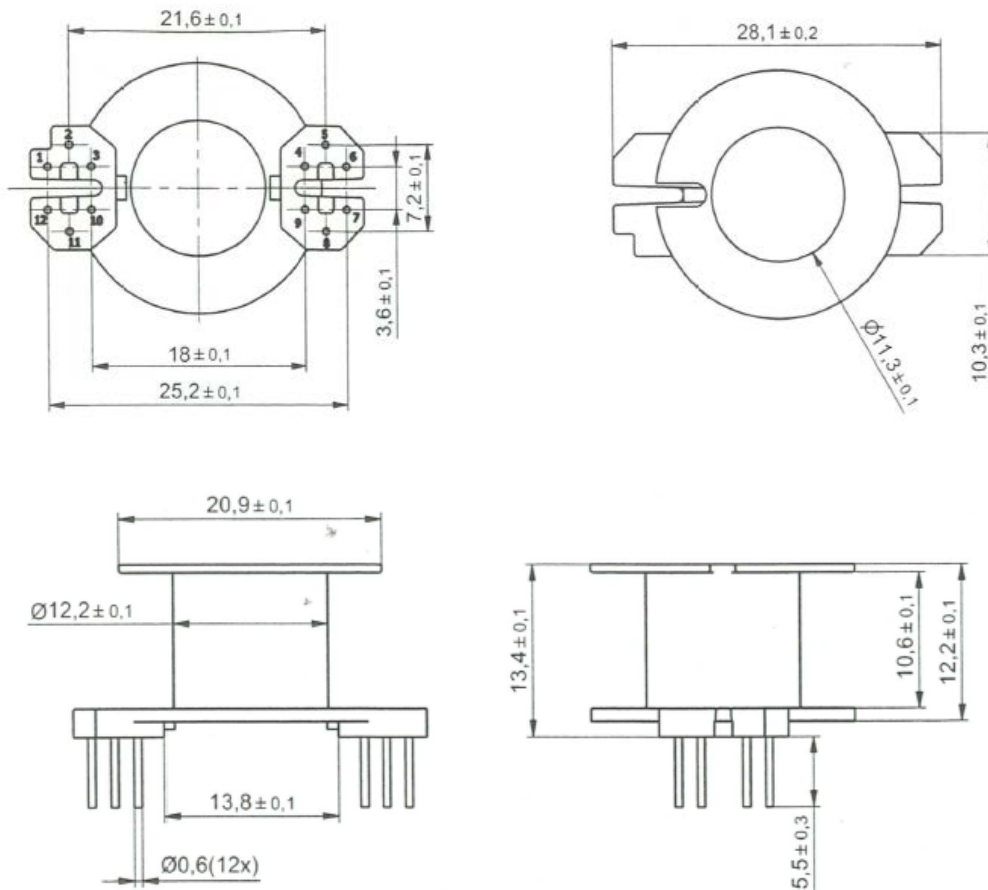




Specification for:  
**PCB2819M1**

110 Delta Drive  
Pittsburgh, PA 15238  
Phone: 412/696-1333  
Fax: 412/696-0333  
Email:magnetics@spang.com



**MATERIAL**

Bobbin Material: Sumikon PM-9630 (PF), glass-reinforced.  
Terminal Material: Copper-plated steel wire, Sn plated.

**REMARKS**

Mean length of turn: 52.3 mm  
Winding area: 42.7 mm<sup>2</sup>

Revision 1/30/2017